

### DESCRIPTION

The MP2151 is a monolithic, step-down, switch-mode converter with built-in internal power MOSFETs. It achieves 1A continuous output current from a 2.5V-to-5.5V input voltage with excellent load and line regulation. The output voltage can be regulated to as low as 0.6V.

The Constant-On-Time control scheme provides fast transient response and eases loop stabilization. Fault protections include cycle-by-cycle current limiting and thermal shutdown.

The MP2151 is available in an ultra-small SOT563 or 1.2mmx1.6mm UTQFN package and requires a minimal number of readily available standard external components.

The MP2151 is ideal for a wide range of applications including high performance DSPs, wireless power, portable and mobile devices, and other low-power systems.

### ELECTRICAL SPECIFICATION

Parameter	Symbol	Value	Units
Input Voltage	$V_{IN}$	2.5 – 5.5	V
Output Voltage	$V_{OUT}$	1.2	V
Output Current	$I_{OUT}$	1	A

Note:  $V_{IN} < 3.3V$  may need more input capacitor.

### FEATURES

- Low IQ: 25µA
- 1.1MHz Switching Frequency
- EN for Power Sequencing
- 1% FB Accuracy
- Wide 2.5V-to-5.5V Operating Input Range
- Output Adjustable from 0.6V
- Up to 1A Output Current
- 80mΩ and 50mΩ Internal Power MOSFET Switches
- 100% Duty On
- Output Discharge
- Vo OVP
- Short-Circuit Protection with Hiccup Mode
- Power Good Only for Fixed Output Version
- Available in a SOT563 or 1.2mmx1.6mm UTQFN Package

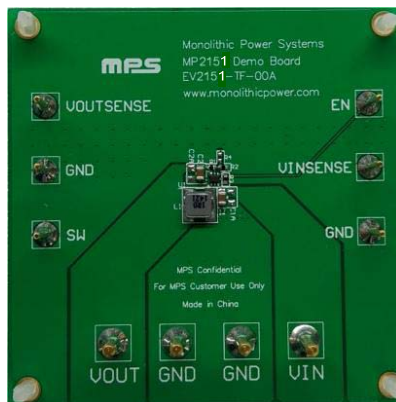
### APPLICATIONS

- Wireless/Networking Cards
- Portable Instruments
- Battery Powered Devices
- Low Voltage I/O System Power
- Multi Function Printer

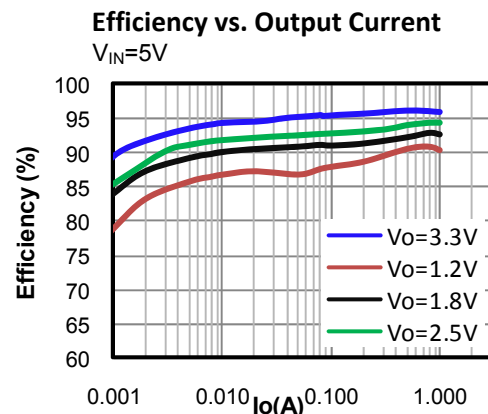
All MPS parts are lead-free, halogen free, and adhere to the RoHS directive. For MPS green status, please visit MPS website under Quality Assurance.

"MPS" and "The Future of Analog IC Technology" are Registered Trademarks of Monolithic Power Systems, Inc.

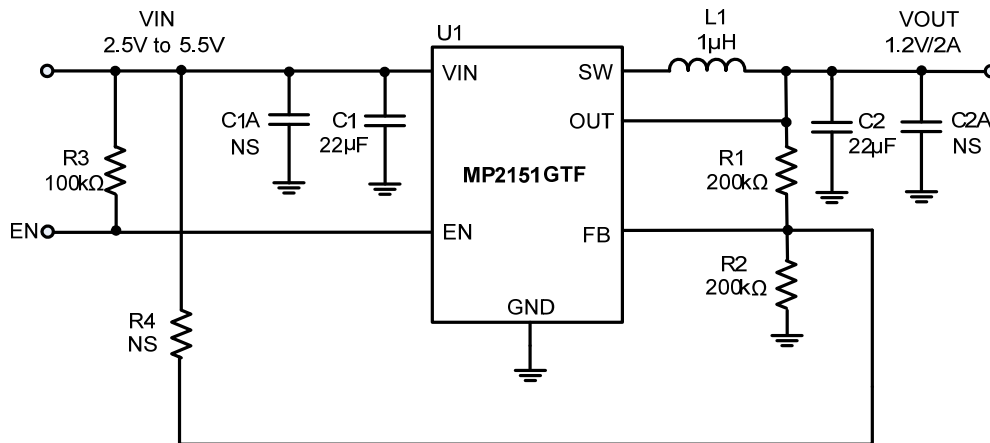
### EV2151-TF-00A EVALUATION BOARD



Board Number	MPS IC Number
EV2151-TF-00A	MP2151GTF

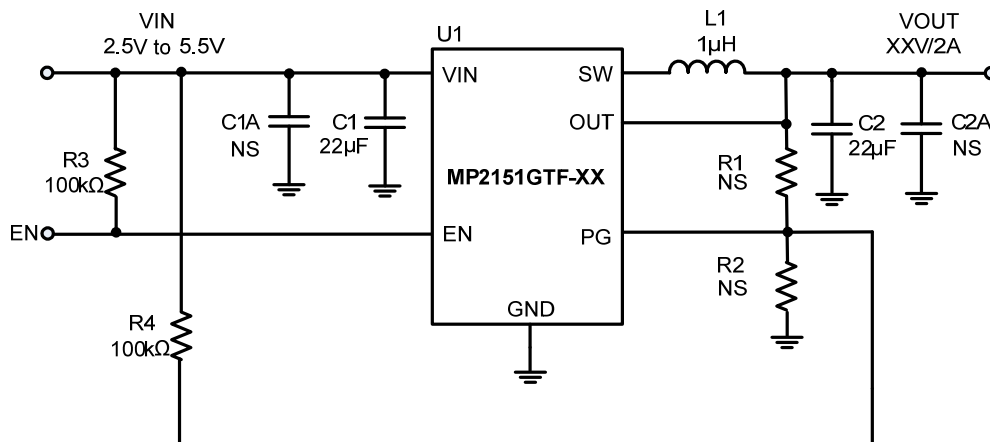


## EVALUATION BOARD SCHEMATIC



**Figure 1—Typical Application Circuit for MP2151GTF**

Note:  $V_{IN} < 3.3V$  may need more input capacitor.



**Figure 2—Typical Application Circuit for MP2151GTF-XX**

Note: 1.  $V_{IN} < 3.3V$  may need more input capacitor;  
2.  $V_{IN} > V_{OUT}$  for application.

## EV2151-TF-00A BILL OF MATERIALS

TABLE 1. MP2151GTF BILL OF MATERIALS

Qty	RefDes	Value	Description	Package	Manufacturer	Manufacturer P/N
2	C1, C2	22 $\mu$ F	Ceramic Cap,10V,X5R	0805	muRata	GRM21BR61A226ME51L
2	R1,R2	200k	Film Res.1%,	0402	any	
1	R3	100k	Film Res.1%	0402	any	
1	L1	1.0 $\mu$ H	Inductor,I <sub>S</sub> =9A, DCR=27m $\Omega$	SMD	Würth	74437324010
1	U1		Step-down Switcher	SOT563	MPS	MP2151GTF
0	C1A, C1A, R4	NS				

TABLE 2. MP2151GTF-XX BILL OF MATERIALS

Qty	RefDes	Value	Description	Package	Manufacturer	Manufacturer P/N
2	C1, C2	22 $\mu$ F	Ceramic Cap,10V,X5R	0805	muRata	GRM21BR61A226ME51L
2	R3, R4	100k	Film Res.1%	0402	any	
1	L1	1.0 $\mu$ H	Inductor,I <sub>S</sub> =9A, DCR=27m $\Omega$	SMD	Würth	74437324010
1	U1		Step-down Switcher	SOT563	MPS	MP2151GTF-XX
0	C1A, C1A R1, R2	NS				

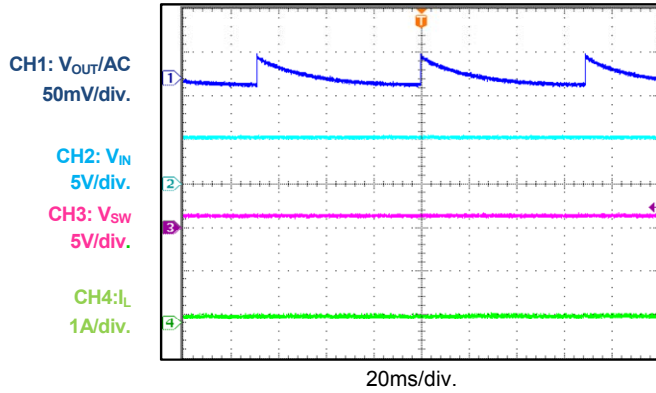
## EVB TEST RESULTS

Performance waveforms are tested on the evaluation board.

V<sub>IN</sub> = 5V, V<sub>OUT</sub> = 1.2V, L = 1.0 $\mu$ H, C<sub>OUT</sub>=22 $\mu$ F, T<sub>A</sub> = +25°C, unless otherwise noted.

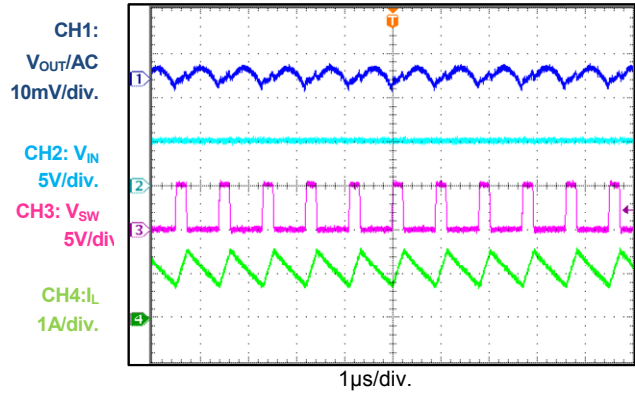
### Steady State

I<sub>OUT</sub>=0A



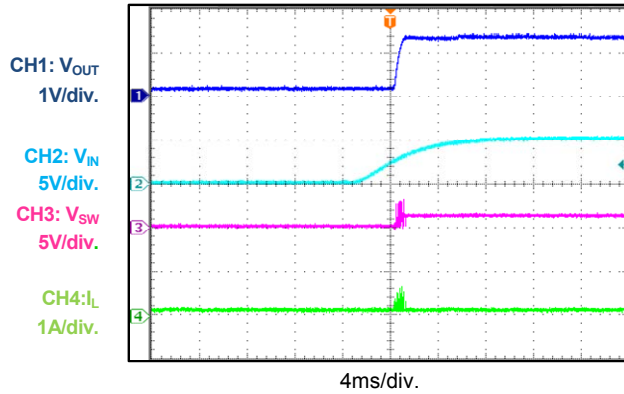
### Steady State

I<sub>OUT</sub>=1A

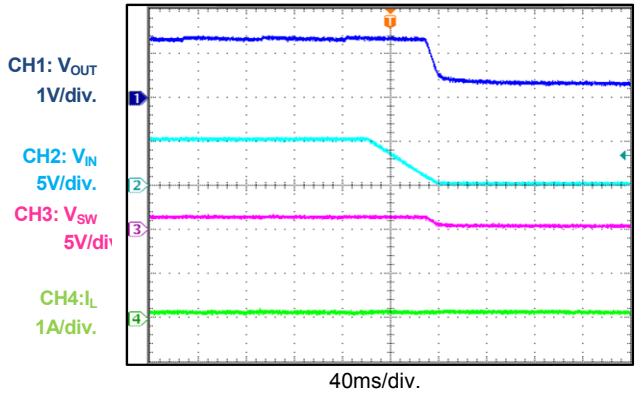


### Vin power-up

I<sub>OUT</sub>=0A

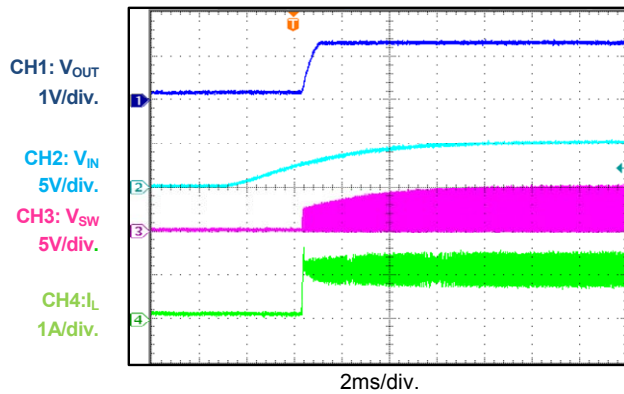


### Vin Shutdown

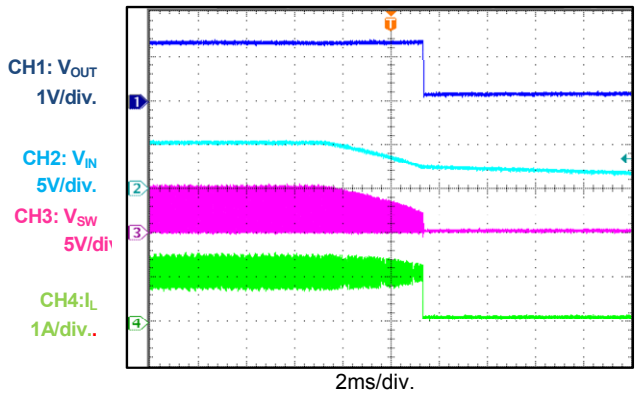


### Vin power-up

I<sub>OUT</sub>=1A



### Vin Shutdown



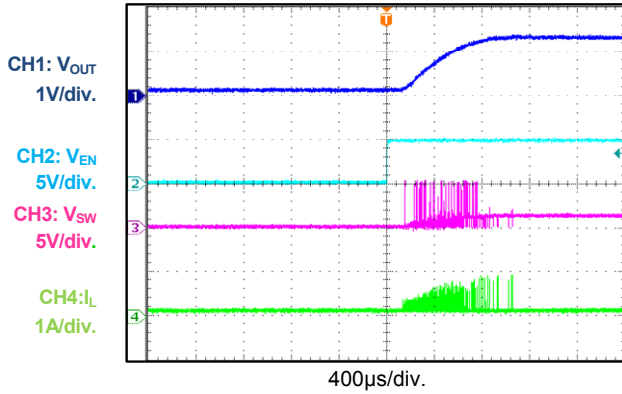
### EVB TEST RESULTS (continued)

Performance waveforms are tested on the evaluation board.

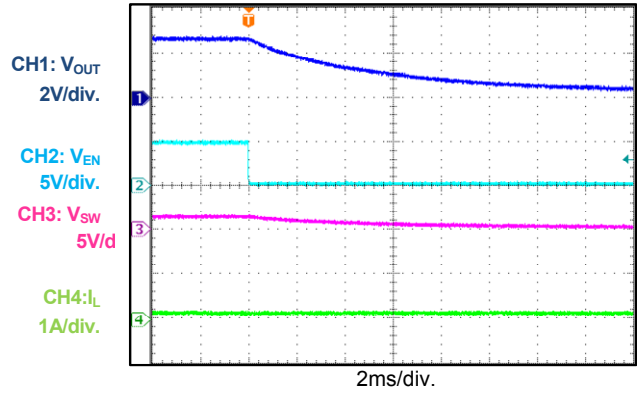
V<sub>IN</sub> = 5V, V<sub>OUT</sub> = 1.2V, L = 1.0 $\mu$ H, C<sub>OUT</sub>=22 $\mu$ F, T<sub>A</sub> = +25°C, unless otherwise noted.

#### EN power-up

I<sub>OUT</sub>=0A

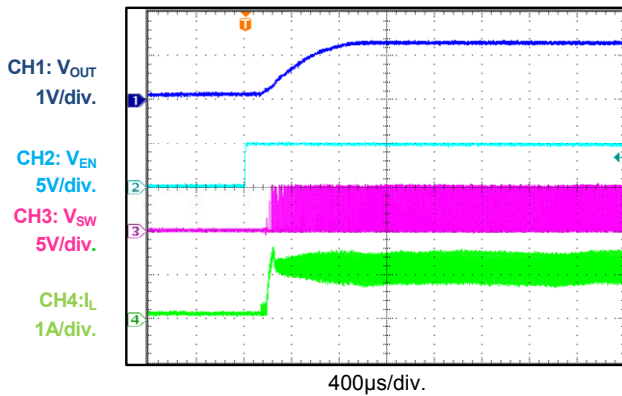


#### EN Shutdown

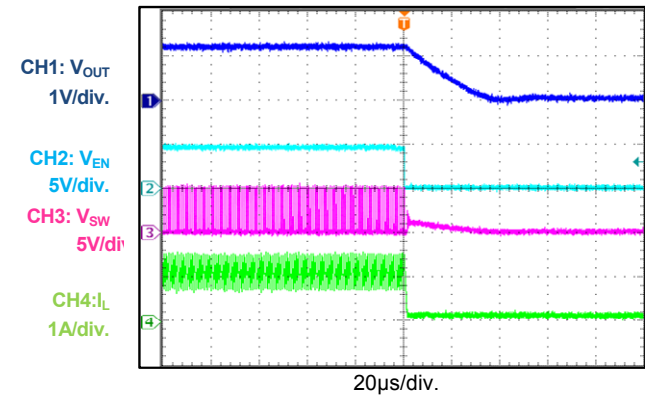


#### EN power-up

I<sub>OUT</sub>=1A

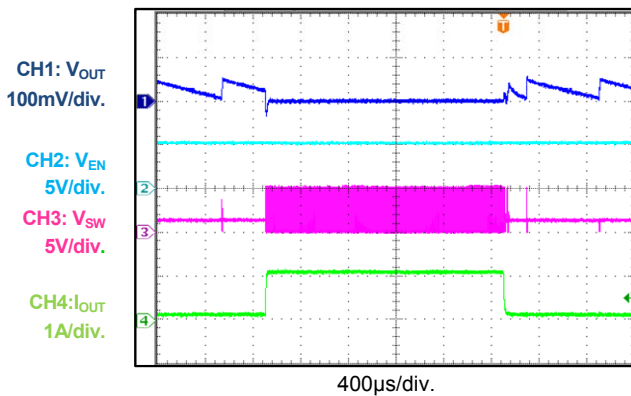


#### EN Shutdown



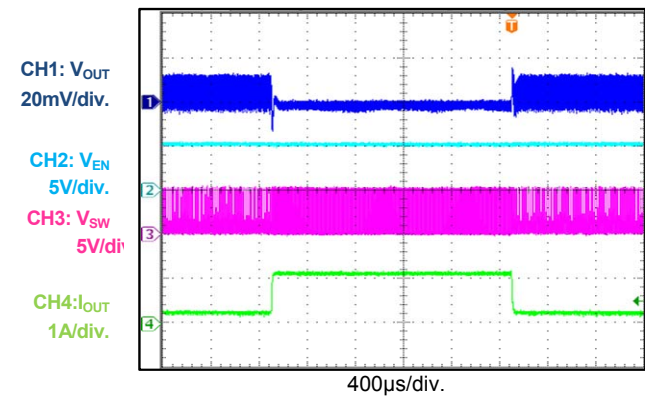
#### Load Transient

I<sub>OUT</sub>=0-1A

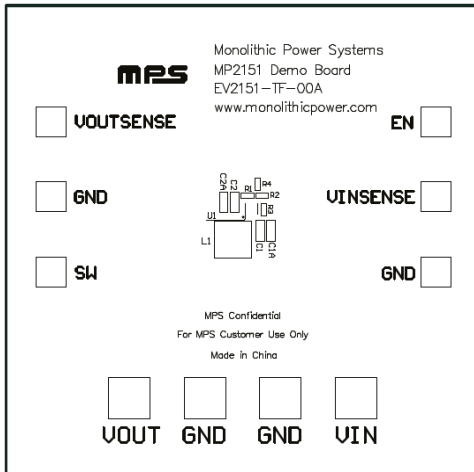


#### Load Transient

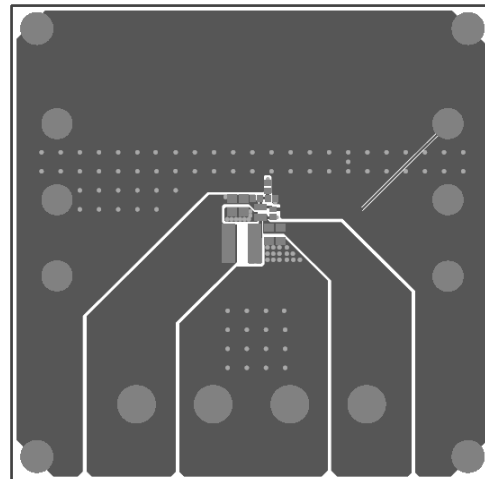
I<sub>OUT</sub>=0.1-1A



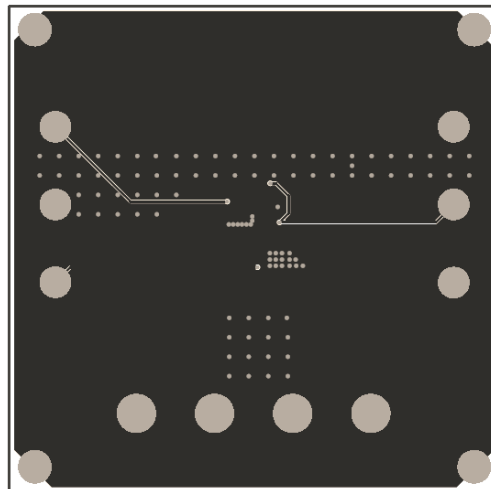
### CIRCUIT BOARD LAYOUT



**Figure 3—Top Silk Layer**



**Figure 4—Top Layer**



**Figure 5—Bottom Layer**

## QUICK START GUIDE(MP2151GTF )

Refer to Figure1 to set up adjusted version EVB. R4 must be removed before test. The output voltage of this board is set externally which can be regulated as low as 0.6V by operating from +2.5V to +5.5V input. The default output voltage of this board is set to 1.2V.

1. Connect the positive and negative terminals of the load to the VOUT and GND pins, respectively.
2. Preset the power supply output between 2.5V and 5.5V, and then turn off the power supply.
3. Connect the positive and negative terminals of the power supply output to the VIN and GND pins, respectively.
4. Turn the power supply on. The board will automatically start up.
5. The Output Voltage can be changed by varying R2. Choose R1 to 200k typically. R2 is then given by:

$$R2 = \frac{R1}{\frac{V_{out}}{0.6} - 1}$$

Example: For Vout= 1.8V, R1=200kΩ, R2=100kΩ.

## QUICK START GUIDE(MP2151GTF-XX)

Refer to Figure2 to set up fixed version. R1 and R2 must be removed. R4 connects PG pin and pulls up to Vin. MP2151GTF-12(-15,-18,-25,-33) board provide corresponding fixed output voltage with PG function.

1. Connect the positive and negative terminals of the load to the VOUT and GND pins, respectively.
2. Preset the power supply output between 2.5V and 5.5V, and then turn off the power supply.
3. Connect the positive and negative terminals of the power supply output to the VIN and GND pins, respectively.
4. Turn the power supply on. The board will automatically start up. Fixed output versions are shown in Table 1.

**Table 1—Fixed output version information**

Part Number	Fixed V <sub>OUT</sub> (V)
MP2151GTF-12	1.2
MP2151GTF-15	1.5
MP2151GTF-18	1.8
MP2151GTF-25	2.5
MP2151GTF-33	3.3

**NOTICE:** The information in this document is subject to change without notice. Please contact MPS for current specifications. Users should warrant and guarantee that third party Intellectual Property rights are not infringed upon when integrating MPS products into any application. MPS will not assume any legal responsibility for any said applications.