



The Future of Analog IC Technology™

EV2358DQ-00A

2A, 23V, 370KHz Step-Down Converter Evaluation Board

DESCRIPTION

The EV2358DQ-00A is the evaluation board for the MP2358, a monolithic step-down switch mode converter with a built in internal power MOSFET. It achieves 2A continuous output current over a wide input supply range with excellent load and line regulation.

The MP2358 employs current mode operation for fast transient response and loop stabilization.

Its Fault condition protection includes cycle-by-cycle current limiting and thermal shutdown. In shutdown mode the regulator draws 23µA of supply current. The Programmable soft-start minimizes the inrush supply current and the output overshoot at initial startup.

The MP2358 requires a minimum number of readily available standard external components.

ELECTRICAL SPECIFICATIONS

Parameter	Symbol	Value	Units
Input Voltage	V _{IN}	4.75 – 23	V
Output Voltage	V _{OUT}	3.3	V
Output Current	I _{OUT}	2	A

FEATURES

- 2A Output Current
- Stable with Low ESR Output Ceramic Capacitors
- Up to 95% Efficiency
- Wide 4.75V to 23V Operating Input Range

APPLICATIONS

- Distributed Power Systems
- Battery Charger
- DSL Modems
- Pre-Regulator for Linear Regulators

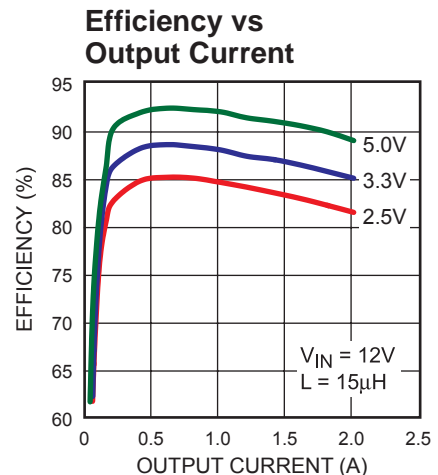
"MPS" and "The Future of Analog IC Technology" are Trademarks of Monolithic Power Systems, Inc.

EV2358DQ-00A EVALUATION BOARD

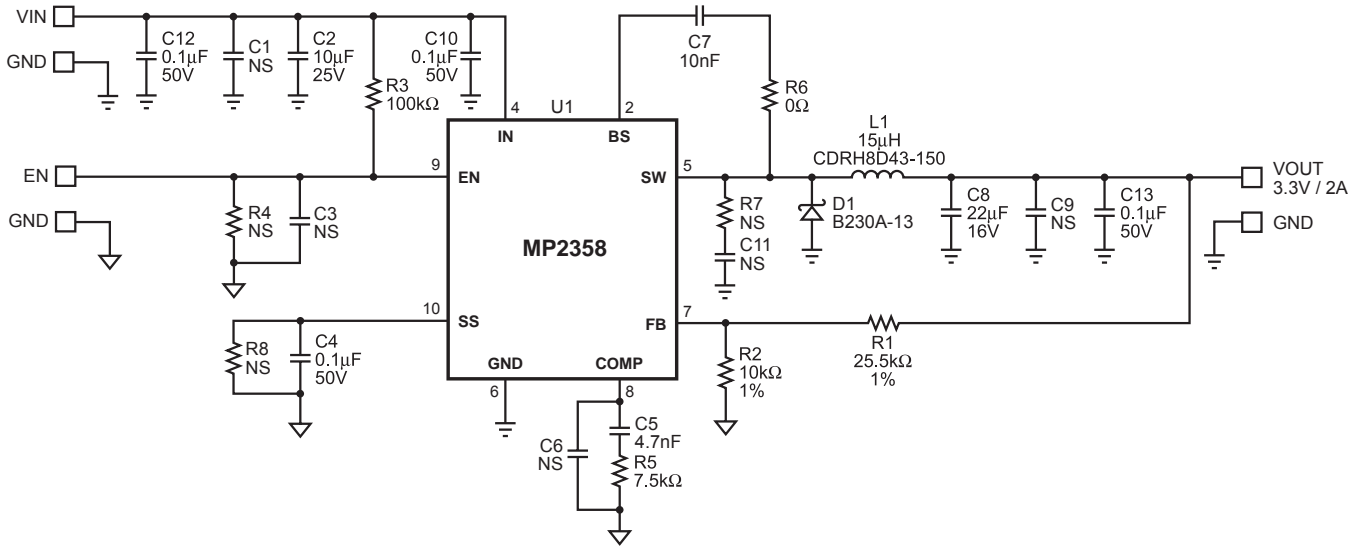


(L x W x H) 2.0" x 1.3" x 0.4"
(5.2cm x 3.3cm x 1.0cm)

Board Number	MPS IC Number
EV2358DQ-00A	MP2358DQ



EVALUATION BOARD SCHEMATIC



EV2358DQ-00A BILL OF MATERIALS

Qty	Ref	Value	Description	Package	Manufacturer	Manufacturer P/N
5	C1, C3, C6, C9, C11		Not Stuffed			
1	C2	10µF	Ceramic Capacitor, 25V, X7R	1210	TDK	C3225X7R1E106M
1	C4	0.1µF	Ceramic Capacitor, 16V, X7R	0603		
1	C5	4.7nF	Ceramic Capacitor, 50V, X7R	0603		
1	C7	10nF	Ceramic Capacitor, 50V, X7R	0603		
1	C8	22µF	Ceramic Capacitor, 16V, X5R	1210	TDK	C3225X5R1C226M
3	C10, C12, C13	0.1µF	Ceramic Capacitor, 50V, X7R	0805	TDK	C2012X7R1H104K
1	D1		Diode Schottky, 30V, 2A	SMA	Diodes Inc.	B230A-13
1	L1	15µH	Inductor, 2.3A	SMD	Sumida	CDRH8D43-150NC
1	R1	25.5kΩ	Resistor, 1%	0603		
1	R2	10kΩ	Resistor, 1%	0603		
1	R3	100kΩ	Resistor, 5%	0603		
3	R4, R7, R8		Do Not Stuff			
1	R5	7.5kΩ	Resistor, 5%	0603		
1	R6	0Ω	Resistor, 5%	0603		
1	U1		Step-Down Converter	QFN10	MPS	MP2358DQ

PRINTED CIRCUIT BOARD LAYOUT

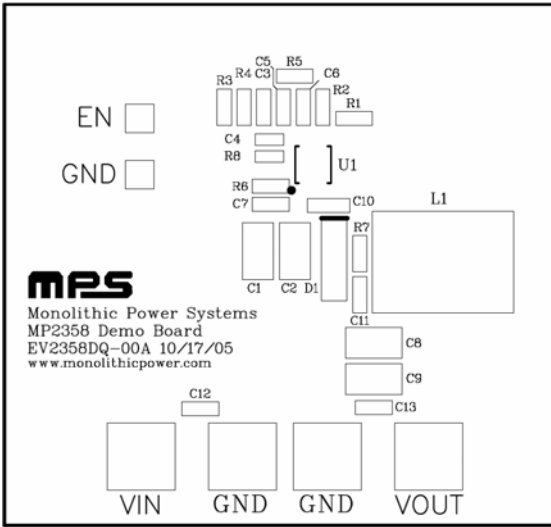


Figure 1—Top Silk Layer

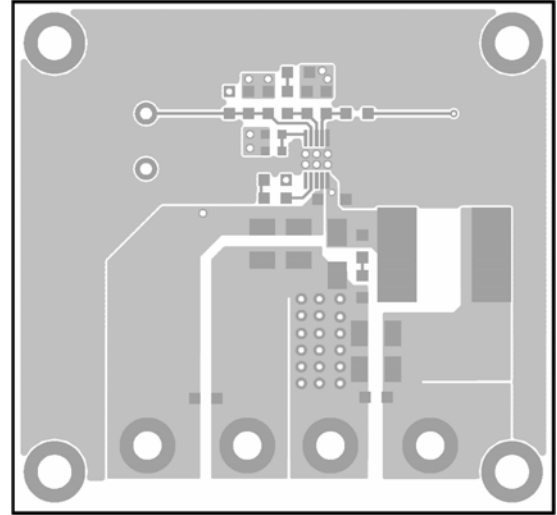


Figure 2—Top Layer

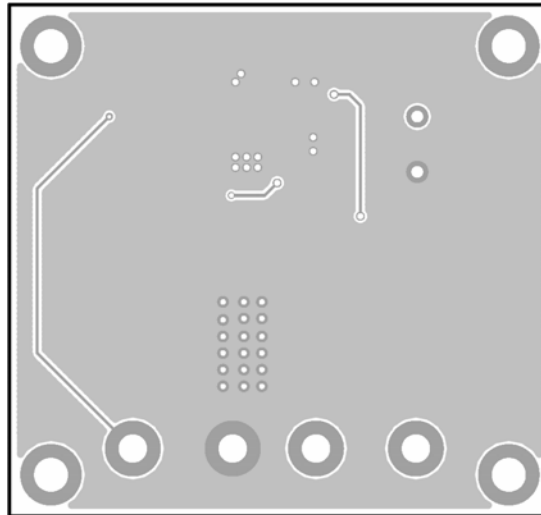


Figure 3—Bottom Layer

QUICK START GUIDE

The output voltage of this board is preset to 3.3V. The board is laid out to accommodate most commonly used inductors and output capacitors.

1. Connect the positive and negative ends of the load to the V_{OUT} and GND pins, respectively.
2. Connect the input voltage ($4.75V \leq V_{IN} \leq 23V$) and input ground to the VIN and GND pins, respectively.
3. To turn on the MP2358, apply an enable voltage V_{EN} to the EN pin. Drive EN higher than 1V to turn on the MP2358 or lower than 0.4V to turn it off.
4. The output voltage V_{OUT} can be programmed by varying R1. Calculate the new value using the formula:

$$R1 = R3 \times \left(\frac{V_{OUT}}{V_{FB}} - 1 \right)$$

Where V_{FB} = 0.9V and R3 = 10kΩ.

For example, for V_{OUT} = 2.5V:

$$R1 = R3 \times \left(\frac{V_{OUT}}{V_{FB}} - 1 \right) = 10k\Omega \times \left(\frac{2.5V}{0.9V} - 1 \right) = 17.78k\Omega \sim 17.8k\Omega$$

for the closest standard 1% value.

NOTICE: The information in this document is subject to change without notice. Please contact MPS for current specifications. Users should warrant and guarantee that third party Intellectual Property rights are not infringed upon when integrating MPS products into any application. MPS will not assume any legal responsibility for any said applications.