

DESCRIPTION

The EV2602DQ-00A is an evaluation board for the MP2602, a linear, high-performance single cell Li-Ion battery charger.

By integrating high voltage input protection into the charger IC, the MP2602 can tolerate an input surge up to 28V.

The MP2602 features constant current (CC) and constant voltage (CV) charging modes with programmable charge currents (200mA to 1A), programmable battery full threshold, thermal protection, battery temperature monitoring, reverse current blocking and trickle charge. The device also provides AC adapter power good and charge status indications to the system.

ELECTRICAL SPECIFICATION

Parameter	Symbol	Value	Units
Input Voltage	V_{IN}		
Charge Current	I_{CHG}		

FEATURES

- Input Surge up to 28V
- Adapter or USB Input
- Programmable Charge Current: 200mA to 1A
- Proprietary Over-Voltage Protection
- 0.75% V_{BATT} Accuracy
- Battery Temperature Monitoring
- AC Adapter Power Good Indicator
- Charge Status Indicator
- Fully Assembled and Tested

APPLICATIONS

- Cell Phones
- MP3 Players
- Smart Phones
- PDAs
- Digital Cameras

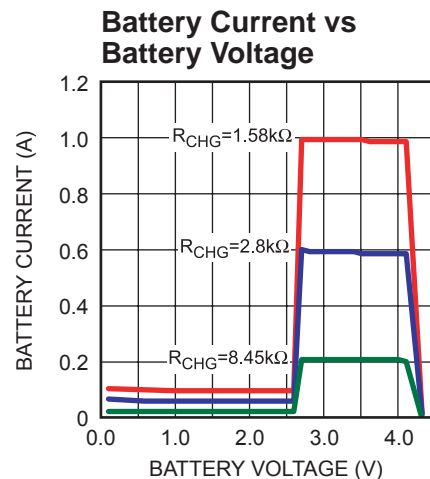
"MPS" and "The Future of Analog IC Technology" are Registered Trademarks of Monolithic Power Systems, Inc.

EV2602DQ-00A EVALUATION BOARD

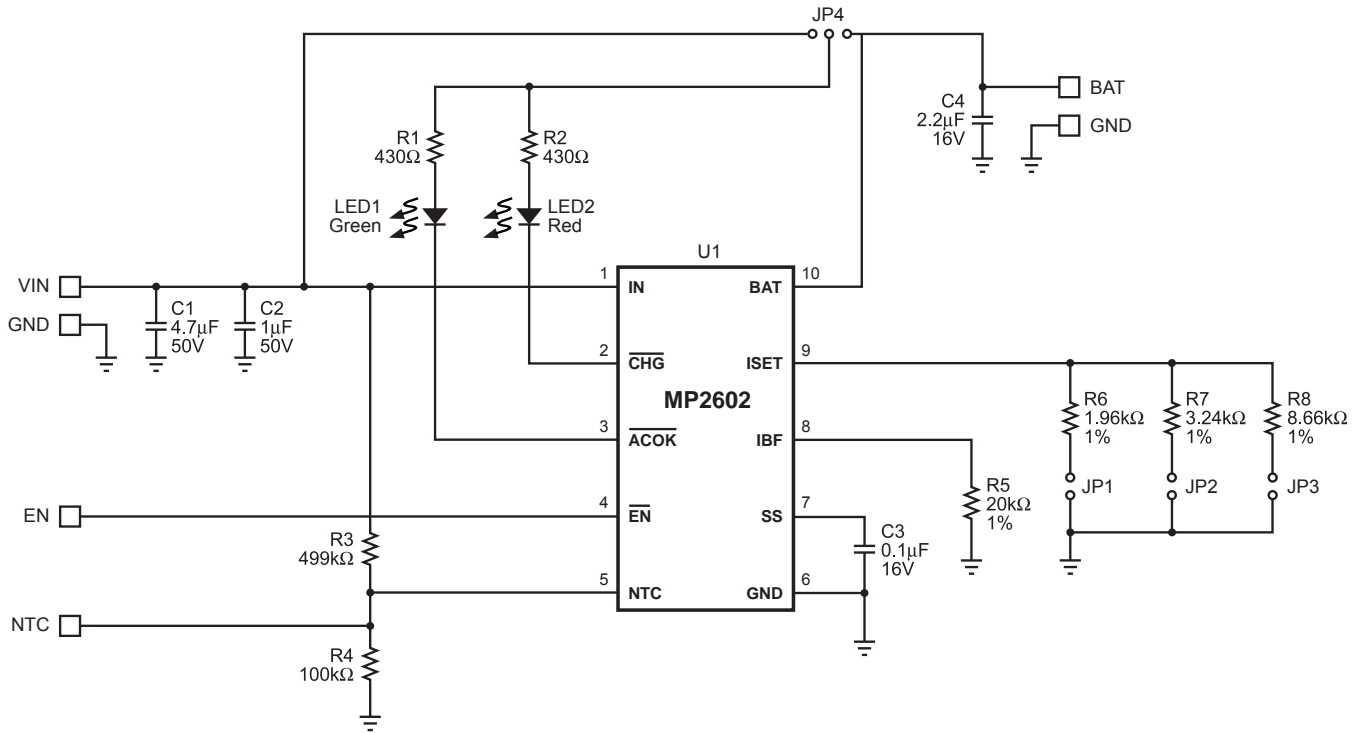


(L x W x H) 2.0" x 1.9" x 0.5"
(5.0cm x 4.8cm x 1.2cm)

Board Number	MPS IC Number
EV2602DQ-00A	MP2602DQ



EVALUATION BOARD SCHEMATIC



EV2602DQ-00A BILL OF MATERIALS

Qty	Ref	Value	Description	Package	Manufacturer P/N
1	C1	4.7µF	Ceramic Cap, 50V, X7R	1210	Murata: GRM32ER71H475KA88L Holystone: C1210B475M035T
1	C2	1µF	Ceramic Cap, 50V, X7R	1206	TDK: C3216X7R1H105K
1	C3	0.1µF	Ceramic Cap, 16V, X7R	0603	TDK: C1608X7R1C104K
1	C4	2.2µF	Ceramic Cap, 16V, X7R	1210	Murata: GRM32MR71C225MC01L
3	JP1, JP2, JP3		2-Pin Connector Header, 0.100"		Sullins: PTC02SAAN
1	JP4		3-Pin Connector Header, 0.100"		Sullins: PTC03SAAN
1	LED1		Led Green, Surface Mount	0603	Lumex: SML-LX0603GW-TR
1	LED2		Led Red, Surface Mount	0603	Lumex: SML-LX0603IW-TR
2	R1, R2	430Ω	Resistor, 5%	0603	Panasonic: ERJ-3GEYJ431V
1	R3	499kΩ	Resistor, 1%	0603	Panasonic: ERJ-3EKF4993V

EV2602DQ-00A BILL OF MATERIALS *(continued)*

Qty	Ref	Value	Description	Package	Manufacturer P/N
1	R4	100kΩ	Resistor, 1%	0603	Panasonic: ERJ-3EKF1003V
1	R5	20kΩ	Resistor, 1%	0603	Panasonic: ERJ-3EKF2002V
1	R6	1.96kΩ	Resistor, 1%	0603	Yageo: 9C06031A1961FKHFT
1	R7	3.24kΩ	Resistor, 1%	0603	Panasonic: ERJ-3EKF3241V
1	R8	8.66kΩ	Resistor, 1%	0603	Panasonic: ERJ-3EKF8661V
1	U1		Linear Charger	QFN10	MPS: MP2602DQ

PRINTED CIRCUIT BOARD LAYOUT

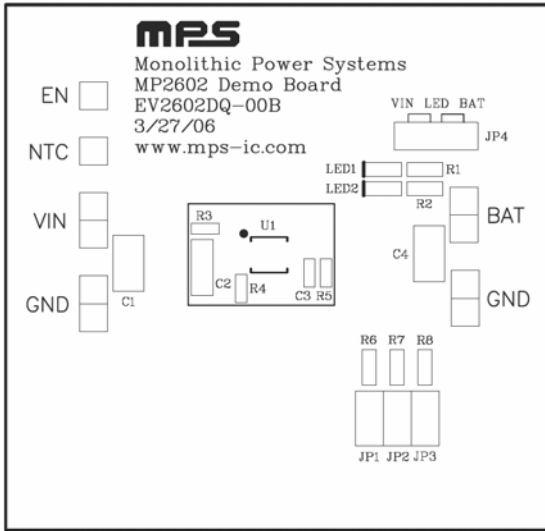


Figure 1—Top Silk Layer

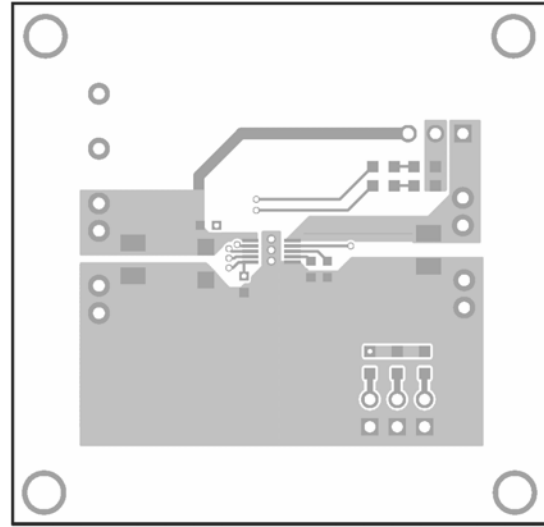


Figure 2—Top Layer

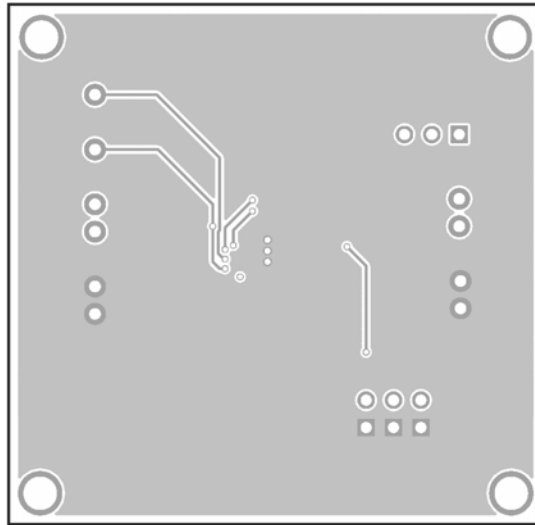


Figure 3—Bottom Layer

QUICK START GUIDE

- 1.
- 2.
- 3.

NOTICE: The information in this document is subject to change without notice. Please contact MPS for current specifications. Users should warrant and guarantee that third party Intellectual Property rights are not infringed upon when integrating MPS products into any application. MPS will not assume any legal responsibility for any said applications.