



The Future of Analog IC Technology®

MPS CONFIDENTIAL AND PROPRIETARY INFORMATION – INTERNAL USE ONLY

# EV26059DQ-00B

## Single-Cell 1A Linear Li-Ion Battery Charger Evaluation Board

### DESCRIPTION

The EV26059DQ-00B is an evaluation board for the MP26059, a linear, high-performance single cell Li-Ion battery charger.

The MP26059 features constant current (CC) and constant voltage (CV) charging modes with programmable charge currents (200mA to 1A), Time out control, battery full terminated control, thermal protection, battery temperature monitoring, reverse current blocking and trickle charge. The device also provides AC adapter power good and charge status indications to the system.

### ELECTRICAL SPECIFICATION

Parameter	Symbol	Value	Units
Input Voltage	V <sub>IN</sub>	5	V
Charge Current	I <sub>CHG</sub>	0.8	A

### FEATURES

- Adapter or USB Input
- Programmable Charge Current: 200mA to 1A
- Proprietary Over-Voltage Protection
- 0.75% V<sub>BATT</sub> Accuracy
- Battery Temperature Monitoring
- AC Adapter Power Good Indicator
- Charge Status Indicator
- Battery full terminated control
- Timer off control
- Fully Assembled and Tested

### APPLICATIONS

- Cell Phones
- MP3 Players
- Smart Phones
- PDAs
- Digital Cameras

"MPS" and "The Future of Analog IC Technology" are Registered Trademarks of Monolithic Power Systems, Inc.

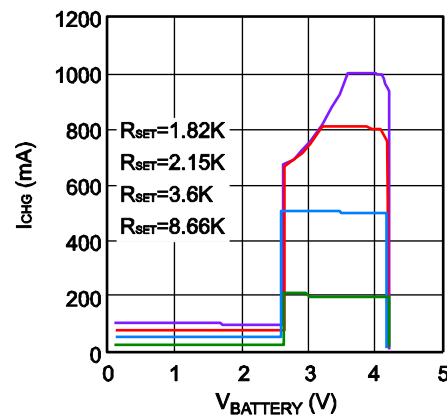
## EV26059DQ-00B EVALUATION BOARD



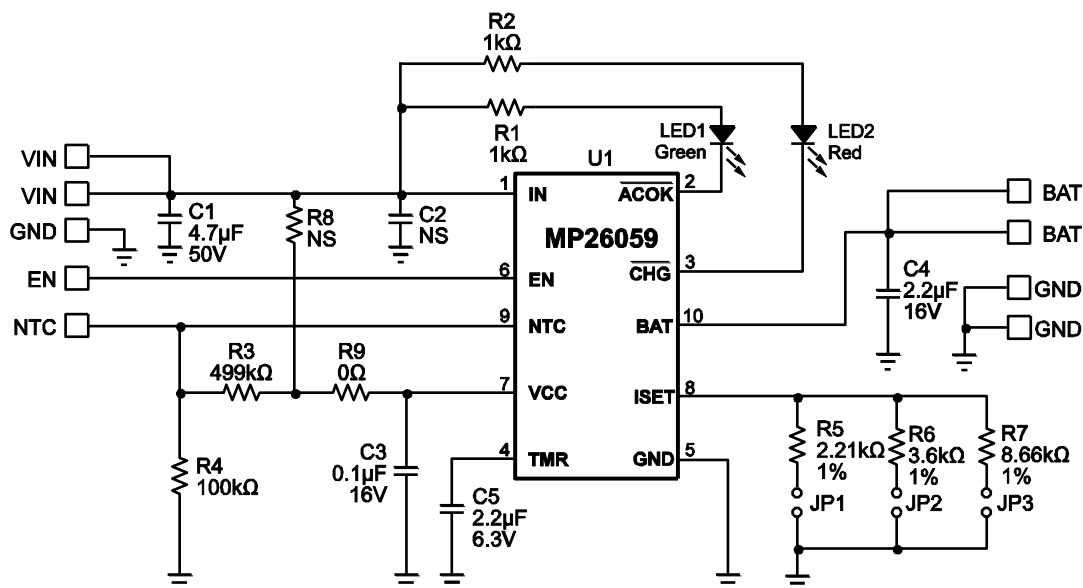
(L x W x H) 2.0" x 1.9" x 0.5"  
(5.0cm x 4.8cm x 1.2cm)

Board Number	MPS IC Number
EV26059DQ-00B	MP26059DQ

### I-V Charge Curve



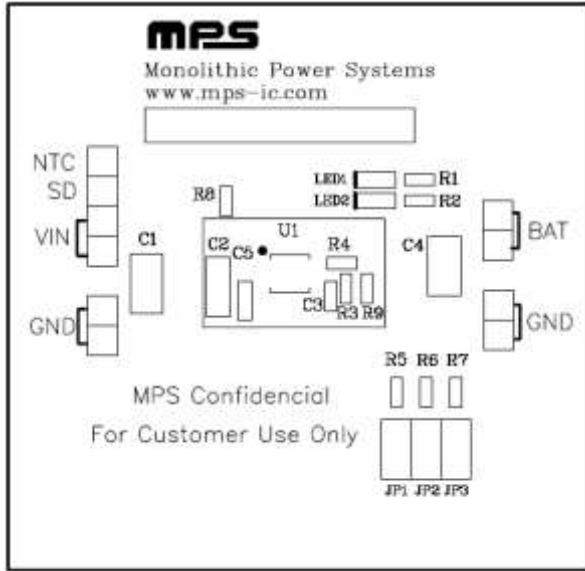
## EVALUATION BOARD SCHEMATIC



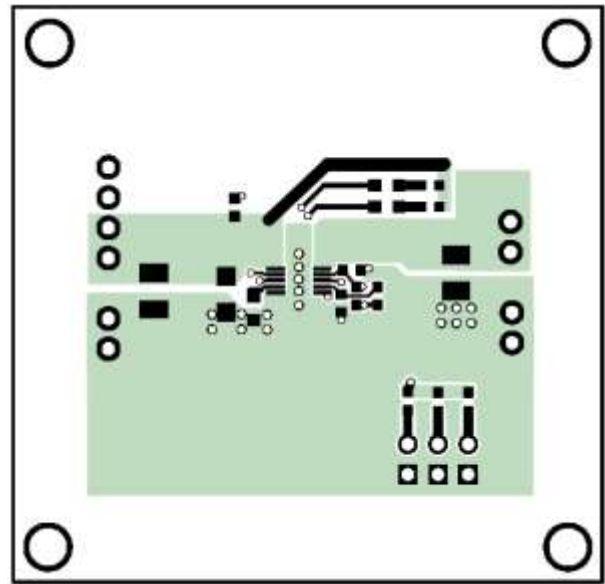
## EV26059DQ-00B BILL OF MATERIALS

Qty	Ref	Value	Description	Package	Manufacturer	Manufacturer P/N
1	C1	4.7 $\mu$ F	Ceramic Cap., 50V, X7R	1210	Murata	GRM32ER71H475K
					Holystone	C1210B475M035T
1	C2	NS	Not Stuffed	1206		
1	C3	0.1 $\mu$ F	Ceramic Cap., 16V, X7R	0603	Murata	GRM188R71C104K
1	C4	2.2 $\mu$ F	Ceramic Cap., 16V, X7R	1210	Murata	GRM32MR71C225M
1	C5	2.2 $\mu$ F	Ceramic Cap., 6.3V, X7R	0805	Murata	GRM21BR70J225K
1	JP1, JP2, JP3		3x2-Pin Connector Header, 0.100"		Molex	10-89-1601
1	LED1		Led Green, Surface Mount	0805	Panasonic	LNJ306G5URA
1	LED2		Led Red, Surface Mount	0805	Panasonic	LNJ206R5RRX
2	R1, R2	1k $\Omega$	Film Res., 5%	0603	Panasonic	ERJ-3GEYJ102V
	R3	499k $\Omega$	Film Res., 1%	0603	Panasonic	ERJ-3EKF4993V
1	R4	100k $\Omega$	Film Res., 1%	0603	Panasonic	ERJ-3EKF1003V
1	R5	2.21k $\Omega$	Film Res., 1%	0603	Panasonic	ERJ-3EKF2211V
1	R6	3.6k $\Omega$	Film Res., 1%	0603	YAGEO	9C06031A3601FKHFT
1	R7	8.66k $\Omega$	Film Res., 1%	0603	Panasonic	ERJ-3EKF8661V
	R8	NS	Not Stuffed	0603		
1	R9	0 $\Omega$	Film Res., 5%	0603	YAGEO	9C06031A0000FKHFT
1	U1		Linear Charger	QFN10	MPS	MP26059DQ

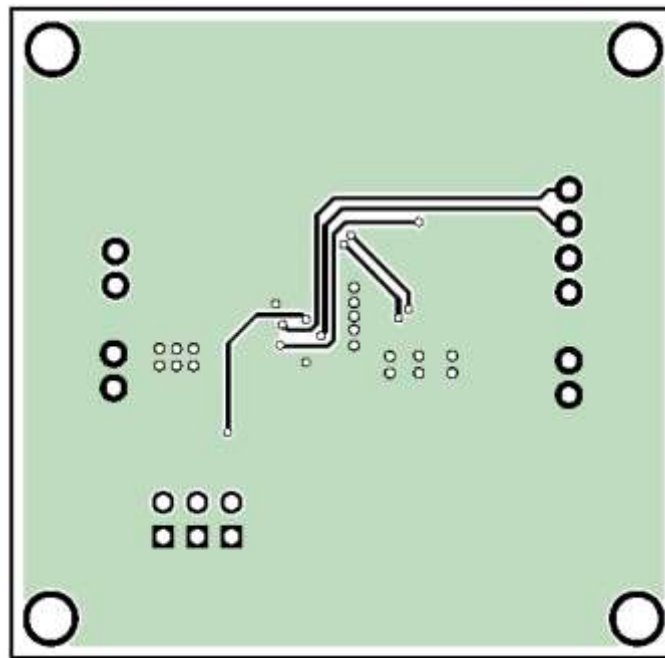
**PRINTED CIRCUIT BOARD LAYOUT**



**Figure 1—Top Silk Layer**



**Figure 2—Top Layer**



**Figure 3—Bottom Layer**

## QUICK START GUIDE

The output voltage on this board is preset to 4.2V (for a single cell battery). The board layout accommodates most commonly used capacitors.

The LEDs are power indicators. When LED1 is on, the 5V input and Enable High (>2.8V) are present (LED1 is off when the input is disconnected). When LED2 is on, the battery is charging, and when the battery is full or there is no battery connected, LED 2 will turn off.

1. Set the charge current  $I_{CHG}$  using the jumpers JP1, JP2 and JP3 per the following table:

JP1	JP2	JP3	$I_{CHG}$
X		X	1000mA
X			800mA
	X	X	700mA
	X		500mA
		X	200mA

Where “X” indicates a connection.

2. Attach the positive and negative ends of the load to the VOUT and GND pins, respectively.
3. Attach the input voltage ( $V_{IN}=5V$ ) and the input ground to the VIN and GND pins, respectively.
4. The timer cap, C5 on EVB is 2.2 $\mu$ F. This will set the oscillator frequency to be 5Hz. For different oscillator frequency setting, please follow the formula:

$$F_{osc} = 5Hz \times \frac{2.2\mu F}{C_5}$$

5. Attached the Enable Voltage (>2.8V) and the input ground to the EN and GND pins respectively.

**NOTICE:** The information in this document is subject to change without notice. Please contact MPS for current specifications. Users should warrant and guarantee that third party Intellectual Property rights are not infringed upon when integrating MPS products into any application. MPS will not assume any legal responsibility for any said applications.