

## DESCRIPTION

The EV2674EG-00A is an evaluation board for the MP2674, the high-performance protection chip for single cell Li-Ion/Li-Polymer battery charger.

By integrating high voltage input protection into the charger IC, the MP2674 can tolerate an input surge up to 30V.

The MP2674 features input over voltage protection (OVP), battery voltage over voltage protection (BOVP), and over charge current protection (OCP). Additionally, MP2674 also monitors its own internal temperature and provides thermal protection (OTP). The device also provides fault indication. Any protection event can be indicated by customer.

## ELECTRICAL SPECIFICATION

Parameter	Symbol	Value	Units
Input Voltage	$V_{IN}$	5	V
Limit Current	$I_{LIM}$	0.9	A

## FEATURES

- Input Surge up to 30V
- Input Over Voltage Protection in 1us.
- Proprietary Battery Over-Voltage Protection
- Programmable Charge Current Protection Limit Value.
- Temperature Monitoring and Protection
- Fault Indication
- Fully Assembled and Tested

## APPLICATIONS

- Cell Phones
- MP3 Players
- Smart Phones
- PDAs
- Digital Cameras
- Desktop Chargers

"MPS" and "The Future of Analog IC Technology" are Registered Trademarks of Monolithic Power Systems, Inc.

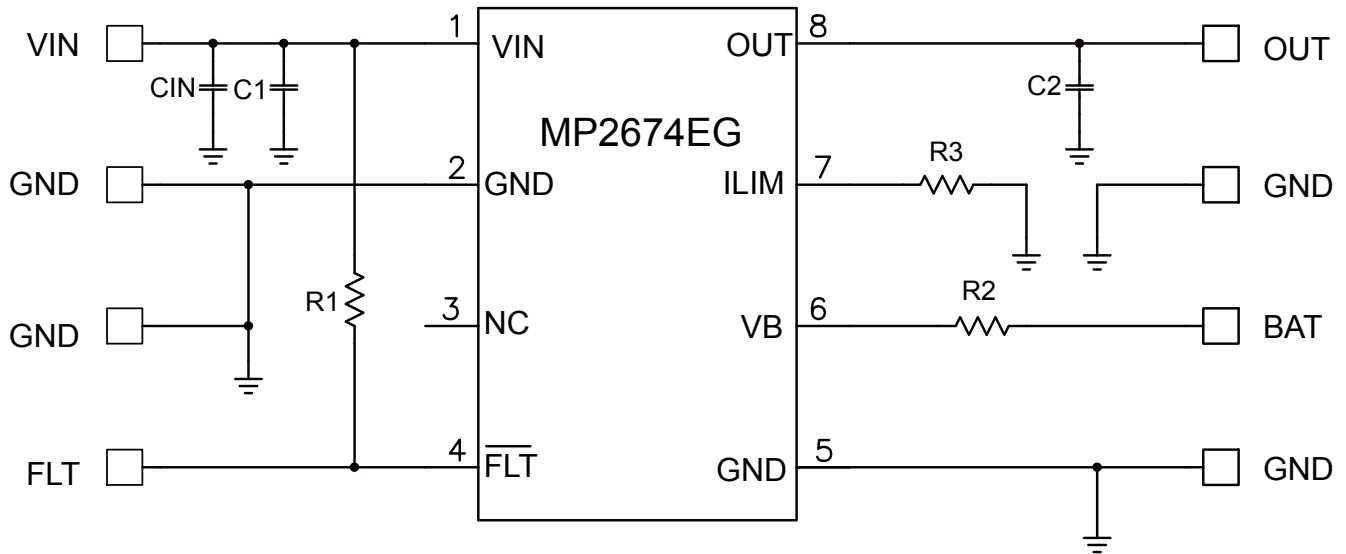
## EV2674EG-00A EVALUATION BOARD



(L x W x H) 1.06" x 1.02" x 0.4" (2.7cm x 2.6cm x 1.1cm)

Board Number	MPS IC Number
EV2674EG-00A	MP2674EG

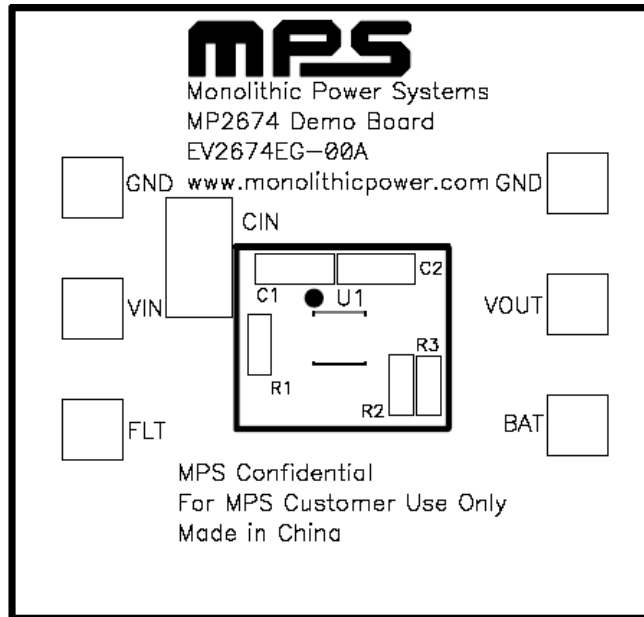
**EVALUATION BOARD SCHEMATIC**



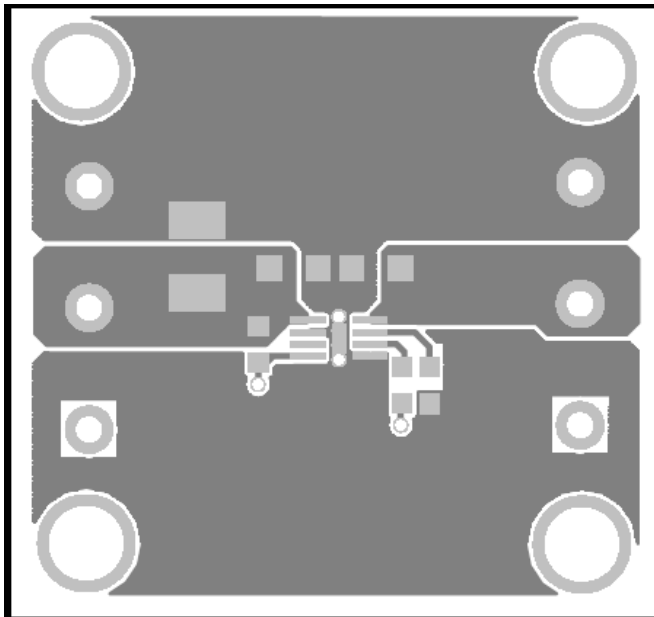
**EV2674EG-00A BILL OF MATERIALS**

Qty	RefDes	Value	Description	Package	Manufacturer	Manufacturer P/N
1	C1	1uF	Ceramic Cap, 50V, X7R	SM0805	muRata	GRM21BR71H105KA12L
1	C2	1uF	Ceramic Cap, 25V, X7R	SM0805	TDK	C2012X7R1E105K
1	C <sub>IN</sub>	NS		SM1206		
1	R1	100k	Film Res, 5%	SM0603	any	
1	R2	1Meg	Film Res, 5%	SM0603	Yageo	RC0603JR-071ML
1	R3	24.9k	Film Res, 1%	SM0603	Yageo	RC0603FR-0724K9L
1	U1		Charge Protection Device	QFN8 (2mm x 2mm)	MPS	MP2674EG

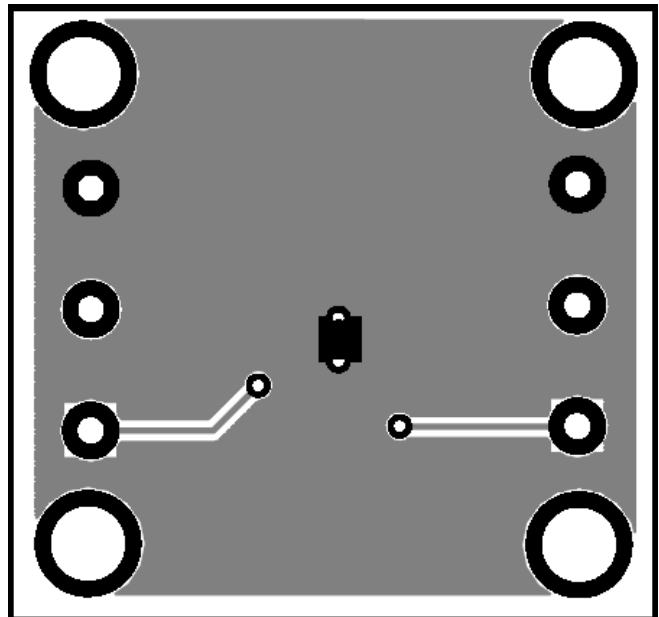
**PRINTED CIRCUIT BOARD LAYOUT**



**Figure 1—Top Silk Layer**



**Figure 2—Top Layer**



**Figure 3—Bottom Layer**

## QUICK START GUIDE

1. The board layout accommodates most commonly used capacitors and resistors.
2. Attach the positive and negative terminators of the load to the OUT and GND pins respectively.
3. Attach the input voltage (max 30V) and input ground to the VIN and GND pins respectively. It will start up when VIN is higher than 2.5V and shut down when Vin is below 2.24V.
4. If the input voltage is higher than 5.8V, MP2674 will detect this input OVP fault, and drop the voltage of OUT pin down to 0V. There is no input to the charger system.
5. The battery over voltage is indicated by VB pin, if the Voltage of VB is higher than 4.475V, the voltage of OUT pin will drop to 0V. The resistor  $R_{VB}$  from BAT to VB pin provides a current limit, the recommended value is 200k $\Omega$  to 1M $\Omega$ .
6. The current limit function of MP2674 is to prevent charging the system with an excessive current, the OCP threshold can be set by the resistor  $R_{LIM}$ :

$$I_{LIM} (A) = \frac{0.8V}{R_{LIM}} \times 31250 = \frac{25000}{R_{LIM} (\Omega)}$$

The limit value of the board is set at 0.9A.

7.  $\overline{FLT}$  pin is an open drain output that indicates a LOW signal when any of the three protection events happens. So connect R1 from  $\overline{FLT}$  to VIN pin, the recommended value for R1 is 10k $\Omega$  to 100k $\Omega$ .

Please refer to the datasheet for the detailed information.

**NOTICE:** The information in this document is subject to change without notice. Please contact MPS for current specifications. Users should warrant and guarantee that third party Intellectual Property rights are not infringed upon when integrating MPS products into any application. MPS will not assume any legal responsibility for any said applications.