

DESCRIPTION

The EV4034-S-00A Evaluation Board demonstrates the capabilities of the MP4034: a primary-side-controlled, offline, LED lighting controller that eliminates secondary feedback components.

The EV4034-S-00A typically drives a 5W LED string with a 40V_{TYP}, 130mA LED load from 85VAC to 265VAC at 50Hz.

The EV4034-S-00A has excellent efficiency and meets IEC61547 surge immunity and EN55015-conducted EMI requirements. It has multiple protections, including open-circuit protection, short-circuit protection, a cycle-by-cycle current limit, and over-temperature protection.

ELECTRICAL SPECIFICATION

Parameter	Symbol	Value	Units
Input Voltage	V _{IN}	85 to 265	VAC
Output Voltage	V _{OUT}	40	V
LED Current	I _{LED}	130	mA
Output Power	P _{OUT}	5.2	W
Efficiency (full load)	η	>80	%

FEATURES

- Primary-Side Control without Opto-Coupler and Secondary Feedback Circuit
- Precise Constant Current (CC)
- Integrated 700V MOSFET with Minimal External Components
- Variable, Off-Time, Peak-Current Control
- 600μA High-Voltage Current Source
- Up to 5.2W Output Power
- Over-Voltage Protection (OVP)
- Over-Temperature Protection (OTP)
- Open-Loop Protection (OLP)
- Natural Frequency Dithering for Improved EMI Signature
- Low Cost and Simple External Circuit
- Fits GU10 LED

APPLICATIONS

- Solid-State Lighting
- Industrial & Commercial Lighting
- Residential Lighting

All MPS parts are lead-free and adhere to the RoHS directive. For MPS green status, please visit MPS website under Quality Assurance. "MPS" and "The Future of Analog IC Technology", are Registered Trademarks of Monolithic Power Systems, Inc.



Warning: Although this board is designed to satisfy safety requirements, the engineering prototype has not been agency approved. Therefore, all testing should be performed using an isolation transformer to provide the AC input to the prototype board.

EV4034-S-00A EVALUATION BOARD



TOP VIEW



BOTTOM VIEW

(L x W x H) 27mm x 16mm x 16mm

Board Number	MPS IC Number
EV4034-S-00A	MP4034GS

EVALUATION BOARD SCHEMATIC

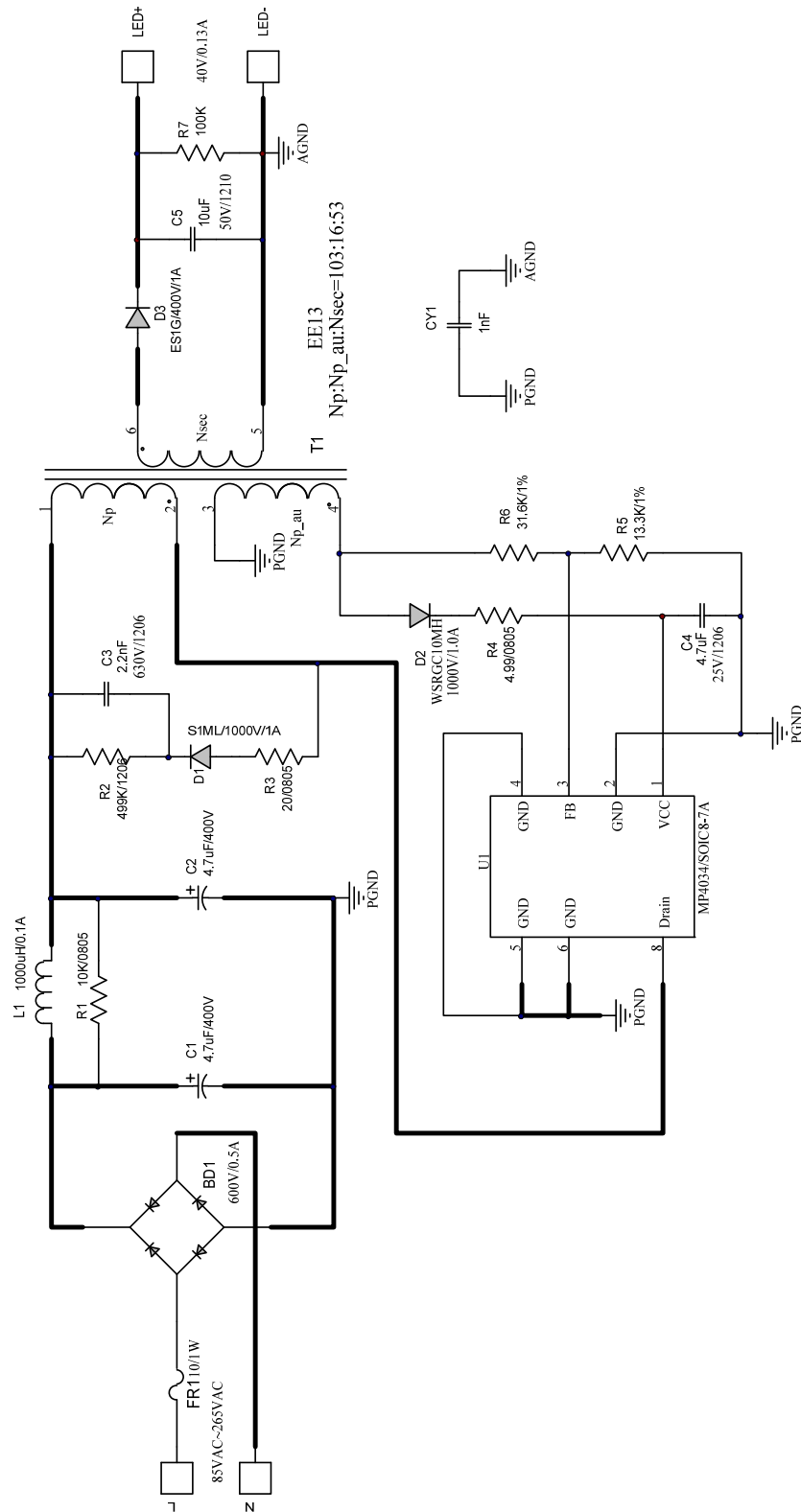


Figure 1: Schematic

EV4034-S-00A BILL OF MATERIALS

Qty	RefDes	Value	Description	Package	Manufacturer	Manufacturer_PN
2	C1,C2	4.7µF	Electrolytic Capacitor;400V;	DIP	Lvbaoshi	4.7µF/400V
1	C3	2.2nF	Ceramic Capacitor;630V;X7R	1206	Murata	GRM31BR72J222KW01
1	C4	4.7µF	Ceramic Capacitor;25V;X7R;	1206	TDK	C3216X7R1E475K
1	C5	10µF	Ceramic Capacitor;50V;X5R	1206	Murata	GRM31CR61H106KA12L
1	CR1	MB6S	Diode;600V;0.5A;	SOIC-4	TaiWan Semiconductor	MB6S
1	CY1	1nF	Y Capacitor;4kV;20%;	DIP	Hongke	JNK09E102MY02N
1	D1	S1ML	Diode;1kV;1A	Sub SMA	Taiwan Semi	S1ML
1	D2	WSRG C10MH	Diode;1000V;1A;	1206	Zowie	WSRGC10MH
1	D3	ES1G	Diode;400V;1A;	SMA	Premier	ES1G
1	FR1	10	Fuse Resistor;5%;1W;	DIP	Yageo	FKN1WSJT-52-10R
1	L1	1mH	Inductor;8Ω;0.1A	DIP	Bangdayuan	CKL0510-102
1	R1	10kΩ	Film Resistor;1%;1/8W;	0805	Yageo	RC0805FR-0710KL
1	R2	499kΩ	Film Resistor;1%;1/4W;	1206	Yageo	RC1206FR-07499KL
1	R3	20Ω	Film Resistor;5%;1/8W	0805	Yageo	RC0805JR-0720RL
1	R4	4.99Ω	Resistor;1%;1/8W;	0805	Yageo	RC0805FR-074R99L
1	R5	13.3kΩ	Film Resistor;1%;	0603	Yageo	RC0603FR-0713R3L
1	R6	31.6kΩ	Film Resistor;1%;	0603	Yageo	RC0603FR-0731K6L
1	R7	100kΩ	Film Resistor;5%;	0603	Yageo	RC0603JR-07100KL
1	T1	1.2mH	EE13;Np:Np_aux:Ns=10 3:16:53;	DIP	Yimei	FX0284
1	U1	MP4034	Primary-Side CC Regulator	SOIC8-7A	MPS	MP4034GS

PCB LAYOUT (SINGLE-SIDED)

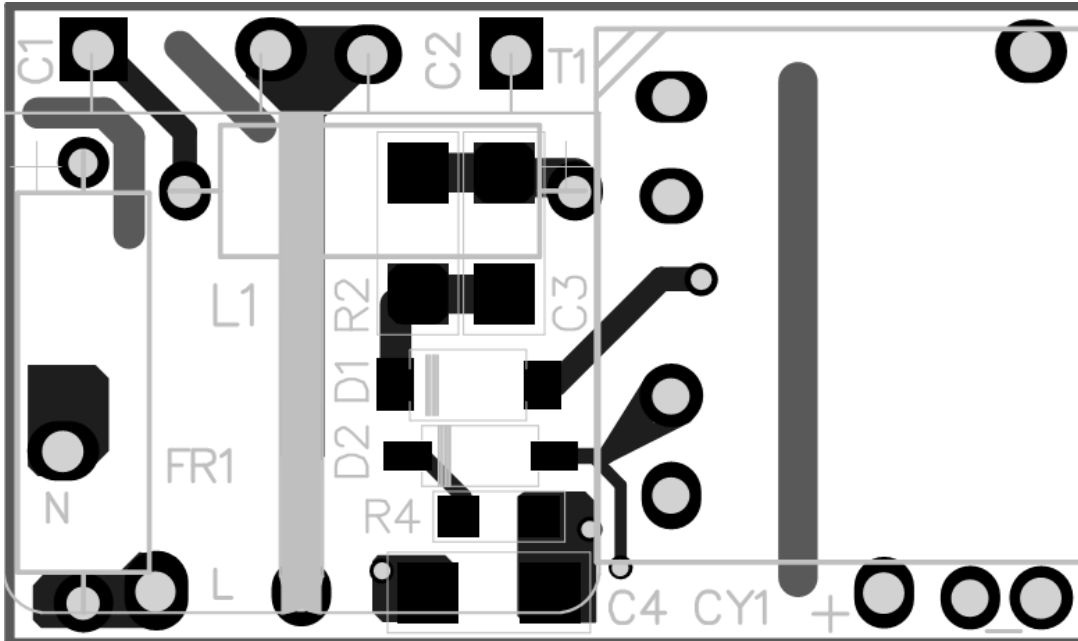


Figure 2: Top Layer

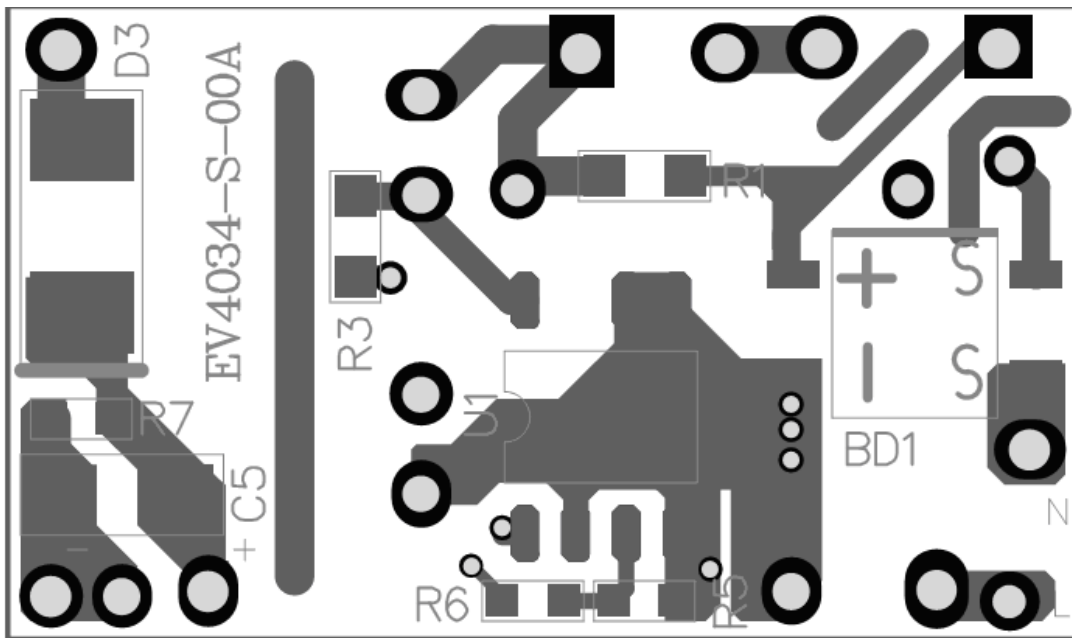


Figure 3: Bottom Layer

CIRCUIT DESCRIPTION

The EV4034-S-00A is configured for a single-stage, flyback topology. It uses primary-side-control to simplify the schematic and reduce BOM costs. It can also achieve an accurate LED current.

The input stage consists of FR1 and DB1. FR1 protects against component failure or some excessive short events, and can restrain the inrush current.

The π filter (C1, L1, and C2) guarantees that the conducted EMI meets the EN55015 standard. The snubber circuit (R2, R3, D1, and C3) reduces the drain-source voltage spike.

R4, C4, and D2 provide the VCC power supply.

The resistor divider (R5 and R6) provides open-lamp protection by sampling the voltage on the primary auxiliary winding. When an open occurs, the output voltage remains constant.

CY1 is a Y capacitor that lowers common-mode noise to ensure a sufficient EMI margin. T1 is the power transformer, the structure of which is also very important to pass EMI test.

D3, C5, and R7 compose output circuit. D3 is a Schottky diode for better efficiency. C5 is a ceramic capacitor for lower output-voltage ripple and R7 is the dummy load for open-lamp protection.

TRANSFORMER SPECIFICATION

Electrical Diagram

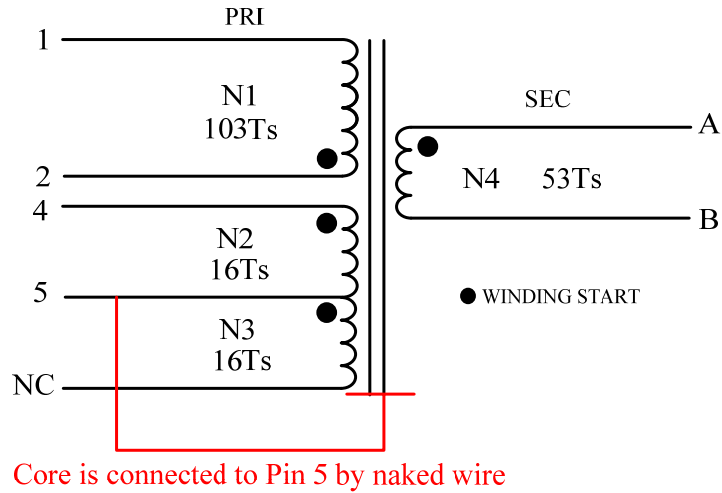


Figure 4: Transformer Diagram

Notes:

1. N2 and N3 are parallel at one layer.
2. Core is connected with Pin 5 with naked wire.
3. N4 is with Triple Isolation Wire. A and B ends are both flying leads and need to be marked with different color.

Winding Diagram

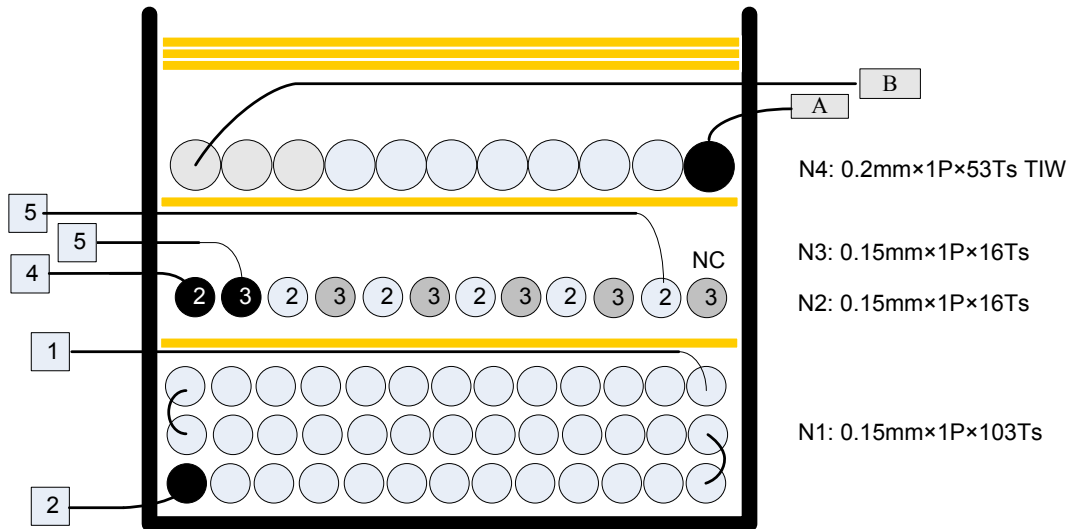


Figure 5: Winding Diagram

Winding Order

Winding No.	Tape Layer Number	Start & End	Magnet Wire Φ (mm)	Turns
N1	1	2→1	0.15mm * 1	103
N2	1	4→5	0.15mm * 1	16
N3	1	5→NC	0.15mm * 1	16
N4	3	A→B	0.2mm * 1 TIW	53

Electrical Specifications

Electrical Strength	60 second, 60Hz, from PRI. to SEC.	3500VAC
	60 second, 60Hz, from PRI. to CORE.	500VAC
	60 second, 60Hz, from SEC. to CORE.	3000VAC
Primary Inductance	Pins 1 - 2, all other windings open, measured at 50kHz, 0.1 VRMS	1.2mH±8%
Primary Leakage Inductance	Pins 1 - 2 with all other pins shorted, measured at 50kHz. 0.1 VRMS	36 μ H±10%

Materials

Item	Description
1	Core: EE13, UI=2500±25%, AL=108.4nH/N ² ±3% GAPPED, ACME P4 or equivalent
2	Bobbin: EE13, 5+5PIN 1 SECT TH, UL94V-0
3	Wire: Φ 0.15mm., 2UEW, Class B
4	Triple Insulation Wire: Φ 0.20mm TRW
5	Tape: 8.0mm(W)×0.06mm(TH)
6	Varnish: JOHN C. DOLPH CO, BC-346A or equivalent
7	Solder Bar: CHEN NAN: SN99.5/Cu0.5 or equivalent

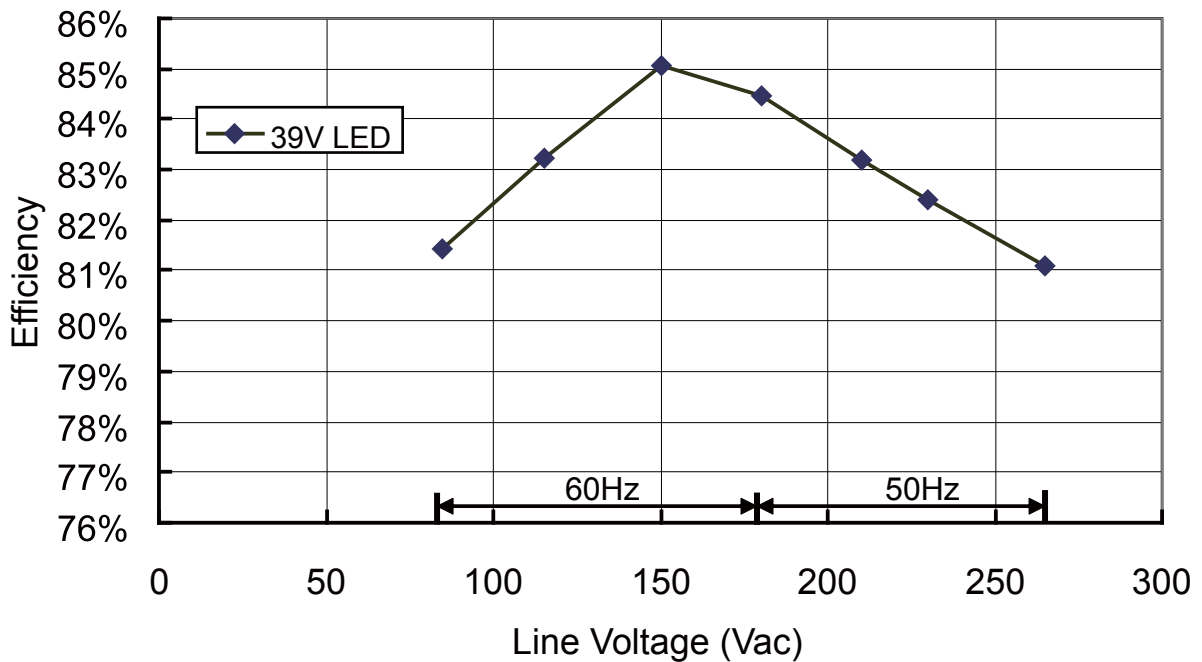
EVB TEST RESULTS

Performance Data

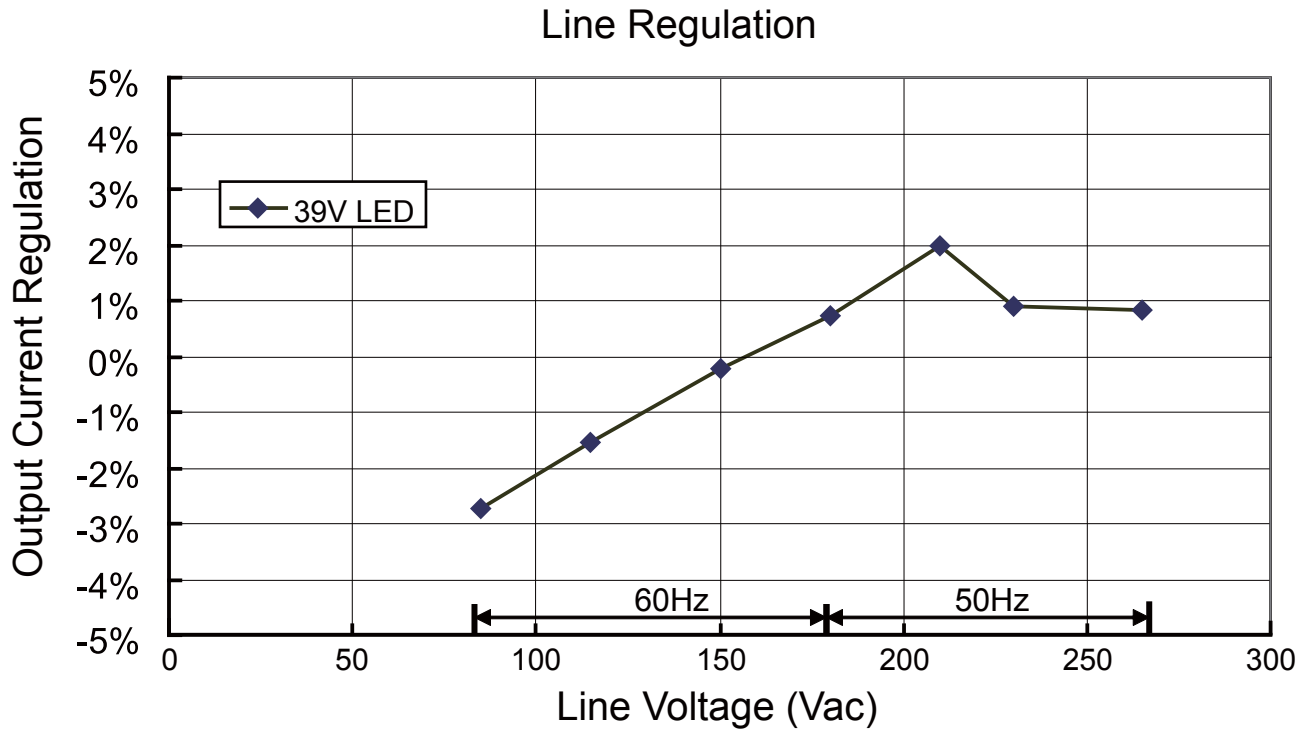
Efficiency

f (Hz)	Vin (VAC)	Pin (W)	Vout (V)	Iout (mA)	Pout (W)	Efficiency (%)
50	85	6.27	38.9	131	5.11	81.4
	115	6.21	38.9	133	5.17	83.2
	150	6.16	38.9	135	5.24	85.1
60	180	6.26	38.9	136	5.29	84.5
	210	6.44	38.9	138	5.36	83.2
	230	6.43	38.9	136	5.30	82.4
	265	6.53	38.9	136	5.30	81.1

Efficiency vs. Input Line Voltage



Line Regulation



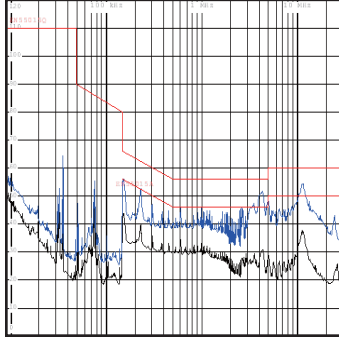
Surge Test

Line-to-Line 500V and Line-to-Power-Earth 1kV surge testing was completed according to IEC61547. Input voltage was set at 230VAC/50Hz. Output was loaded at full load and operation was verified following each surge event.

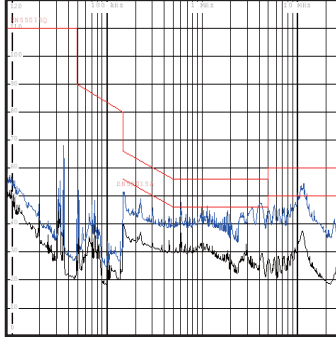
Surge Level (V)	Input Voltage (VAC)	Injection Location	Injection Phase (°)	Test Result (Pass/Fail)
500	230	L to N	90	Pass
-500	230	L to N	270	Pass
1000	230	L to PE	90	Pass
-1000	230	L to PE	270	Pass
1000	230	N to PE	90	Pass
-1000	230	N to PE	270	Pass

Conducted EMI Test

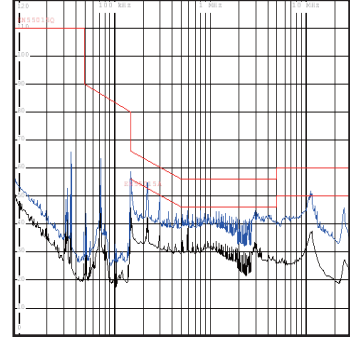
Conducted EMI Test
 230Vac, 50Hz, Maximum Load,
 L Line, EN55015 Limits



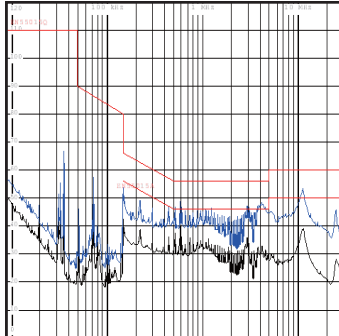
Conducted EMI Test
 230Vac, 50Hz, Maximum Load,
 N Line, EN55015 Limits



Conducted EMI Test
 115Vac, 60Hz, Maximum Load,
 L Line, EN55015 Limits

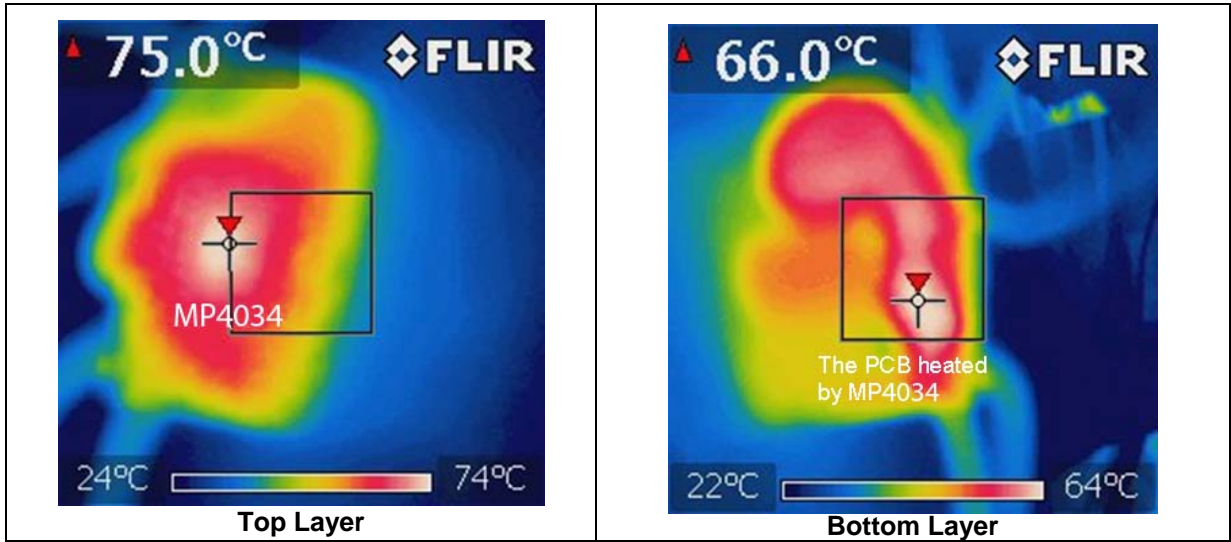


Conducted EMI Test
 115Vac, 60Hz, Maximum Load,
 N Line, EN55015 Limits



Thermal Test

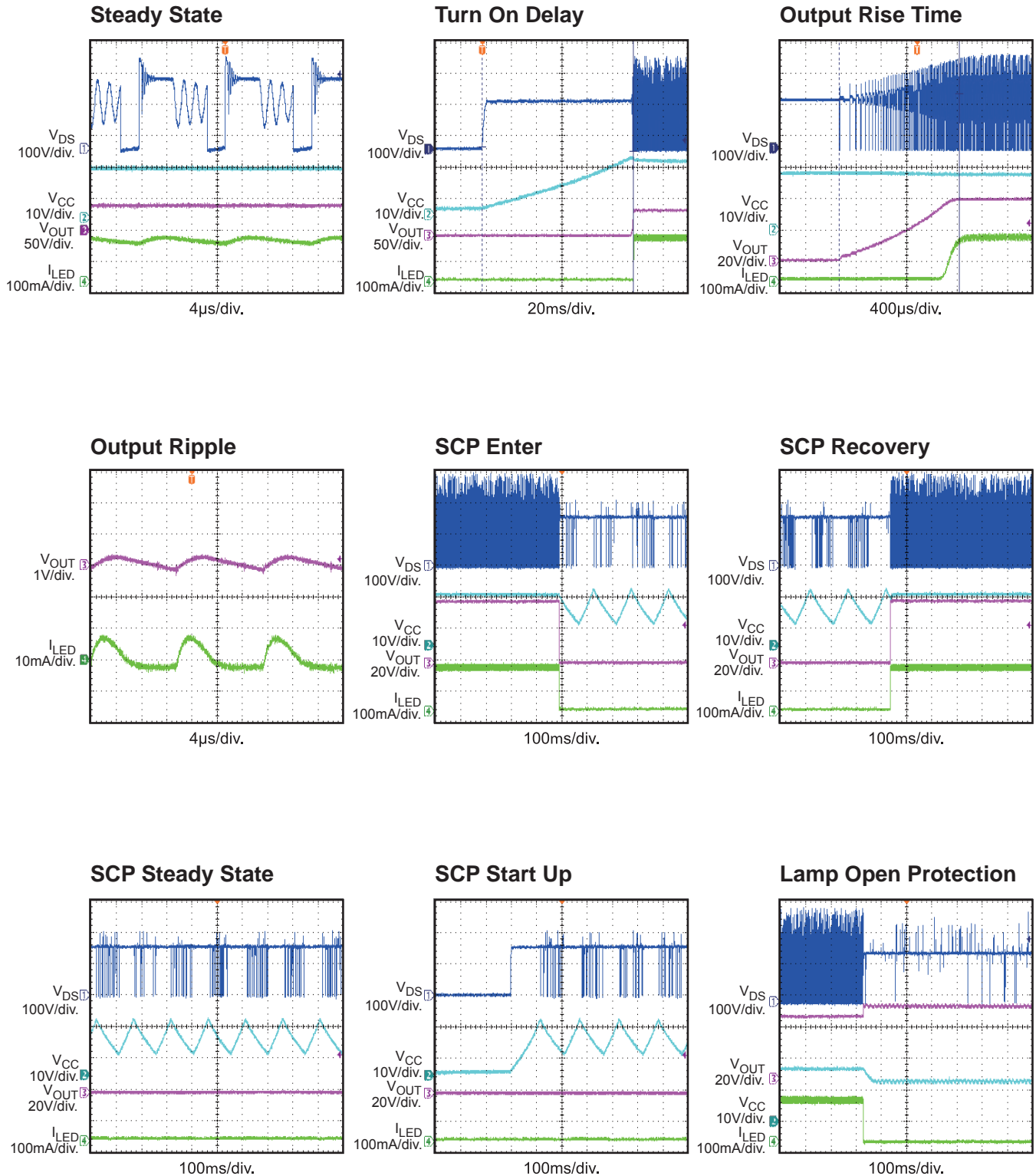
Test with 85Vac input and full load condition.



EVB TEST RESULTS

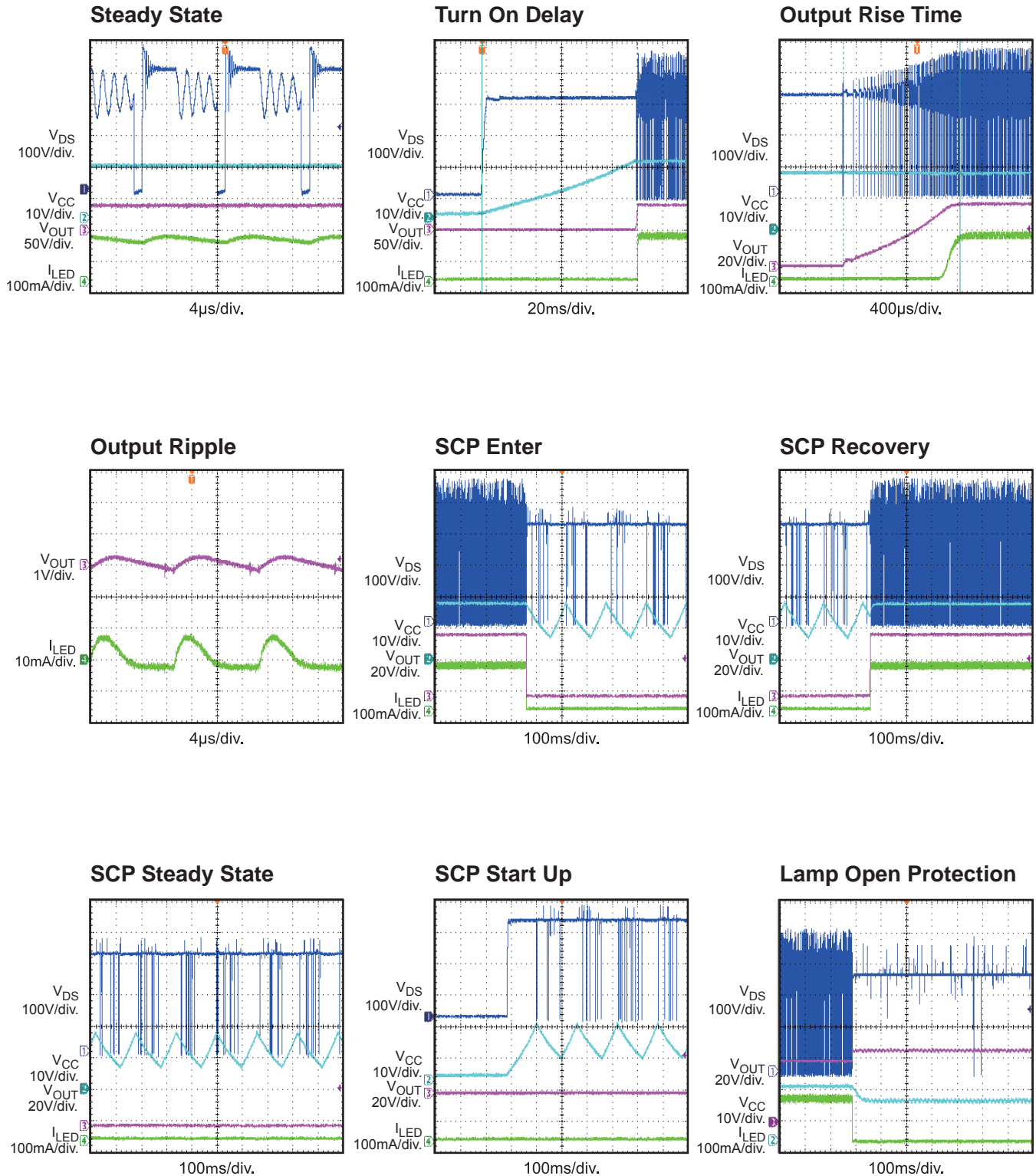
Performance waveforms are tested on the evaluation board.

$V_{IN}=110VAC/60Hz$, 13 LEDs in series, $I_{LED}=130mA$, $V_{OUT}=39V$, $L_P=1.2mH$, $N_P:N_S:N_{AUX}=103:53:16$



EVB TEST RESULTS (continued)

Performance waveforms are tested on the evaluation board.

 $V_{IN}=220VAC/50Hz$, 13 LEDs in series, $I_{LED}=130mA$, $V_{OUT}=39V$, $L_P=1.2mH$, $N_P:N_S:N_{AUX}=103:53:16$.


QUICK START GUIDE

1. Preset AC Power Supply to $85\text{VAC} \leq V_{\text{IN}} \leq 265\text{VAC}$.
2. Turn Power Supply off.
3. Connect the LED string between “LED+” (anode of LED string) and “LED-” (cathode of LED string).
4. Connect Power Supply terminals to AC V_{IN} terminals as shown on the board.
5. Turn AC Power Supply on after making connections.

NOTICE: The information in this document is subject to change without notice. Please contact MPS for current specifications. Users should warrant and guarantee that third party Intellectual Property rights are not infringed upon when integrating MPS products into any application. MPS will not assume any legal responsibility for any said applications.