



The Future of Analog IC Technology®

EV5001DQ-00A

Programmable Current 5V/5A Electronic Fuse Evaluation Board

DESCRIPTION

The EV5001DQ-00A is the evaluation board for the MP5001DQ, a protection device designed to protect circuitry on the output (source) from transients on input (VCC). It also protects VCC from undesired shorts and transients coming from the source.

Besides the input capacitor and output capacitor, EV5001DQ-00A contains a low power resistor to set the current limit (I_{LIMIT}) as well as a capacitor for dV/dt functions, and the capacitor is optional.

The demo board defaults are for a 3.6 V turn on point and a 6.65V over voltage clamp. The current limit is set at 2.4A limit (22Ω).

ELECTRICAL SPECIFICATIONS

Parameter	Symbol	Value	Units
Input Voltage	V_{IN}	3.6-7	V
Output Voltage Clamp	V_{OUT}	6.65	V
Output Current	I_{OUT}	2.4	A

FEATURES

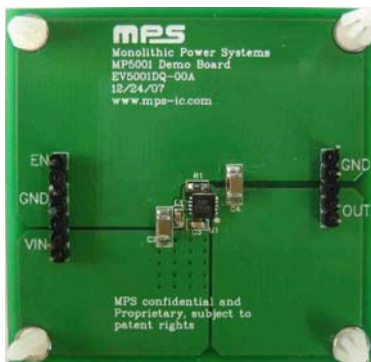
- Adjustable Slew Rate for Output Voltage
- 2.4A Current Limit
- Integrated Power FET Thermal Protection
- Over Voltage Limit

APPLICATIONS

- Hot Swap
- PC Cards
- Cell Phones
- Laptops

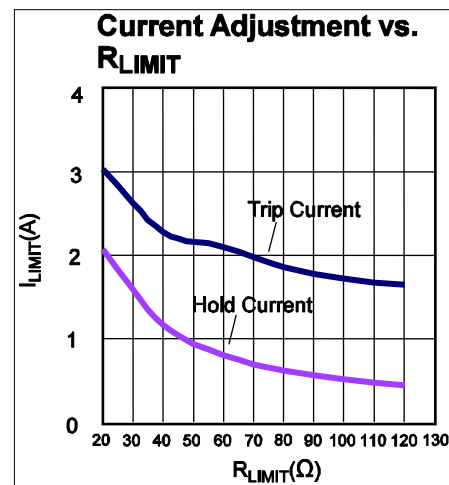
"MPS" and "The Future of Analog IC Technology" are Registered Trademarks of Monolithic Power Systems, Inc.

EV5001DQ-00A EVALUATION BOARD

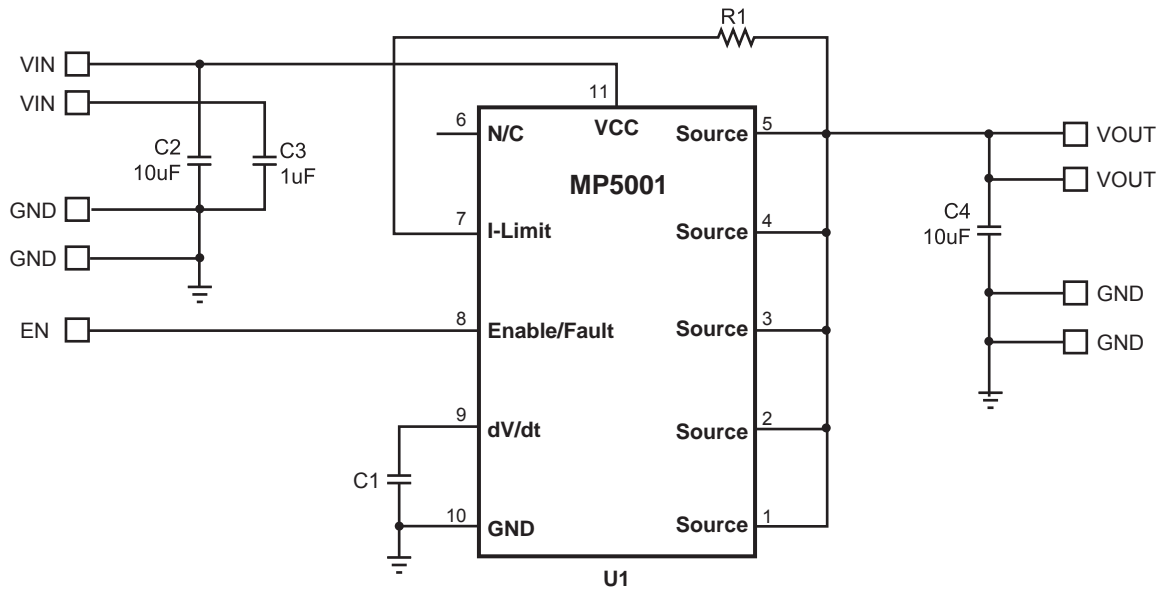


(L x W x H) 1.97" x 1.89" x 0.12"
(5.0cm x 4.8cm x 0.3cm)

Board Number	MPS IC Number
EV5001DQ-00A	MP5001DQ



EVALUATION BOARD SCHEMATIC



EV5001DQ-00A BILL OF MATERIALS

Qty	Ref	Value	Description	Package	Manufacturer	Manufacturer P/N
1	C1	1nF	Ceramic Cap., X7R, 50V	0603	Murata	GRM188R71H102KA01D
2	C2,C4	10µF/25V	Ceramic Cap., X5R, 25V	1206	Murata	GRM32DR71E106KA12
					TDK	C3216X5R1E106K
1	C3	1µF	Ceramic Cap., X7R, 16V	0603	Murata	GRM188R71C105KA12D
1	R1	22Ω	Film Res., 1%	0603	Yageo	RC0603FR-0722RL
1	U1		Electronic Fuse	QFN-10	MPS	MP5001DQ

PRINTED CIRCUIT BOARD LAYOUT

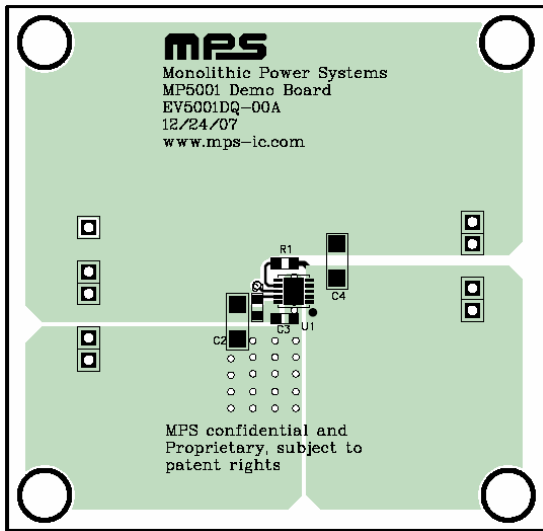


Figure 1—Top Silk Layer

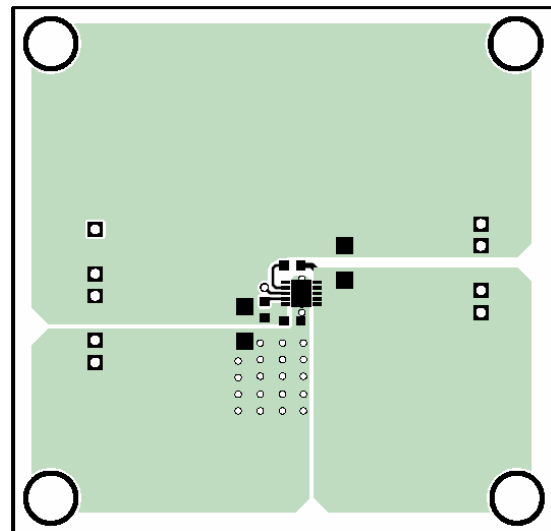


Figure 2—Top Layer

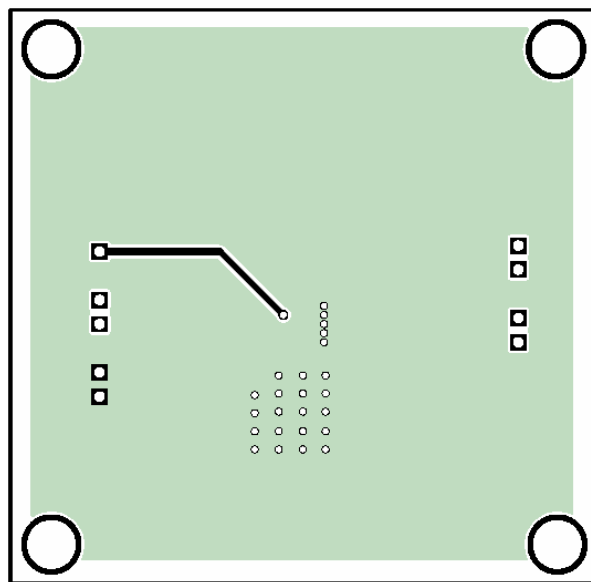


Figure 3—Bottom Layer

QUICK START GUIDE

1. Connect the positive terminal of the load to VOUT pins, and the negative terminal of the load to GND pins.
2. Preset the power supply output to 3.6V-7V and turn off the power supply.
3. Connect the positive terminal of the power supply output to the VIN pin and the negative terminal of the power supply output to the GND pin.
4. Turn the power supply on. The MP5001DQ will automatically startup.
5. To use the Enable function, apply a digital input to EN pin. Drive EN higher than 2.5V to turn on the regulator, drive EN less than 0.5V to turn it off.
6. A thermal fault will cause a mid level on the enable pin, and will set the fault flag. Vin restart or a low voltage on EN/FAULT pin can clear fault flag.
7. The output current limit value of this board is set to 2.4A. And the output voltage rising time is set to 29.4ms. Both of the two parameters can be programmed. For detailed application, please refer to the MP5001DQ datasheet.

NOTICE: The information in this document is subject to change without notice. Users should warrant and guarantee that third party Intellectual Property rights are not infringed upon when integrating MPS products into any application. MPS will not assume any legal responsibility for any said applications.