



# EV8040-N-00A

## Full-Bridge or Single-Ended Audio Amplifier Evaluation Board

### DESCRIPTION

The EV8040-N-00A is an evaluation board designed to demonstrate the capabilities of MPS's MP8040. It can be configured as a stereo single-ended amplifier or a full-bridge mono amplifier.

The MP8040 is a general purpose, high-frequency, half-bridge power driver. It integrates both top and bottom N-channel MOSFET power switches. It interfaces with standard logic signals, and is available in small, 8-lead SOIC package.

### ELECTRICAL SPECIFICATION

Parameter	Symbol	Value	Units
Input supply voltage	$V_{IN}$	7.5 to 24	V
Peak output current	$I_{PEAK-MAX}$	9	A
RMS output current	$I_{RMS-MAX}$	4.25	A

### FEATURES

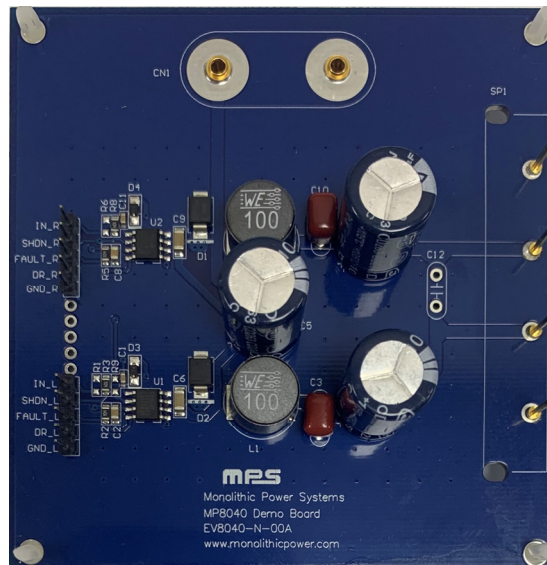
- Up to 1.2MHz Switching Frequency
- Protected Integrated Power 0.1Ω Switches
  - Designed Switch Dead time of 30ns
  - All Switches Current Limited
  - Internal Under-Voltage Protection (UVP)
  - Internal Thermal Protection
- 2.5μA Standby Mode
- Fault Indicator Output

### APPLICATIONS

- Full or Half-Bridge DC/DC Switching Regulators
- Class-D Audio Drivers
- Motor Drivers

All MPS parts are lead-free, halogen-free, and adhere to the RoHS directive. For MPS green status, please visit the MPS website under Quality Assurance. "MPS", the MPS logo, and "Simple, Easy Solutions" are trademarks of Monolithic Power Systems, Inc. or its subsidiaries.

## EV8040-N-00A EVALUATION BOARD



(LxWxH) 8.89cmx9.14cmx3cm

Board Number	MPS IC Number
EV8040-N-00A	MP8040DN

## QUICK START GUIDE

1. The EV8040-N-00A can be configured as a stereo single-ended audio amplifier.
2. To configure the board as a full-bridge circuit, short R4, R7, and R9. Then remove C4 and C7. Lastly, use a 0.47 $\mu$ F capacitor for C12.
3. Connect the audio inputs to the IN pins (see Figure 1).
4. Connect speakers to pins 1, 2, 3, and 4 for single-ended configuration (see Figure 1). Use pins 2 and 3 to form a bridged circuit.
5. Connect the power supply to the VIN terminals (see Figure 1).
6. SHDN enables/disables the MP8040. Drive SHDN low to turn the MP8040 on; drive SHDN high to turn the device off. If SHDN is not used, connect it to GND.
7. A low output at FLT indicates that the MP8040 has detected a fault, and the device shuts down as a result.
8. The DR pin is an optional, 5V fixed-voltage output capable of driving a 1mA load for external circuitry.

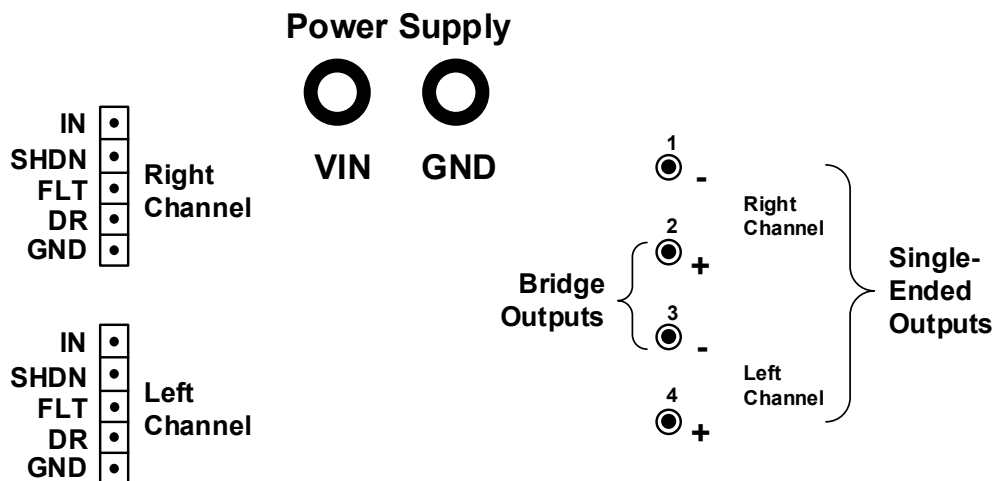
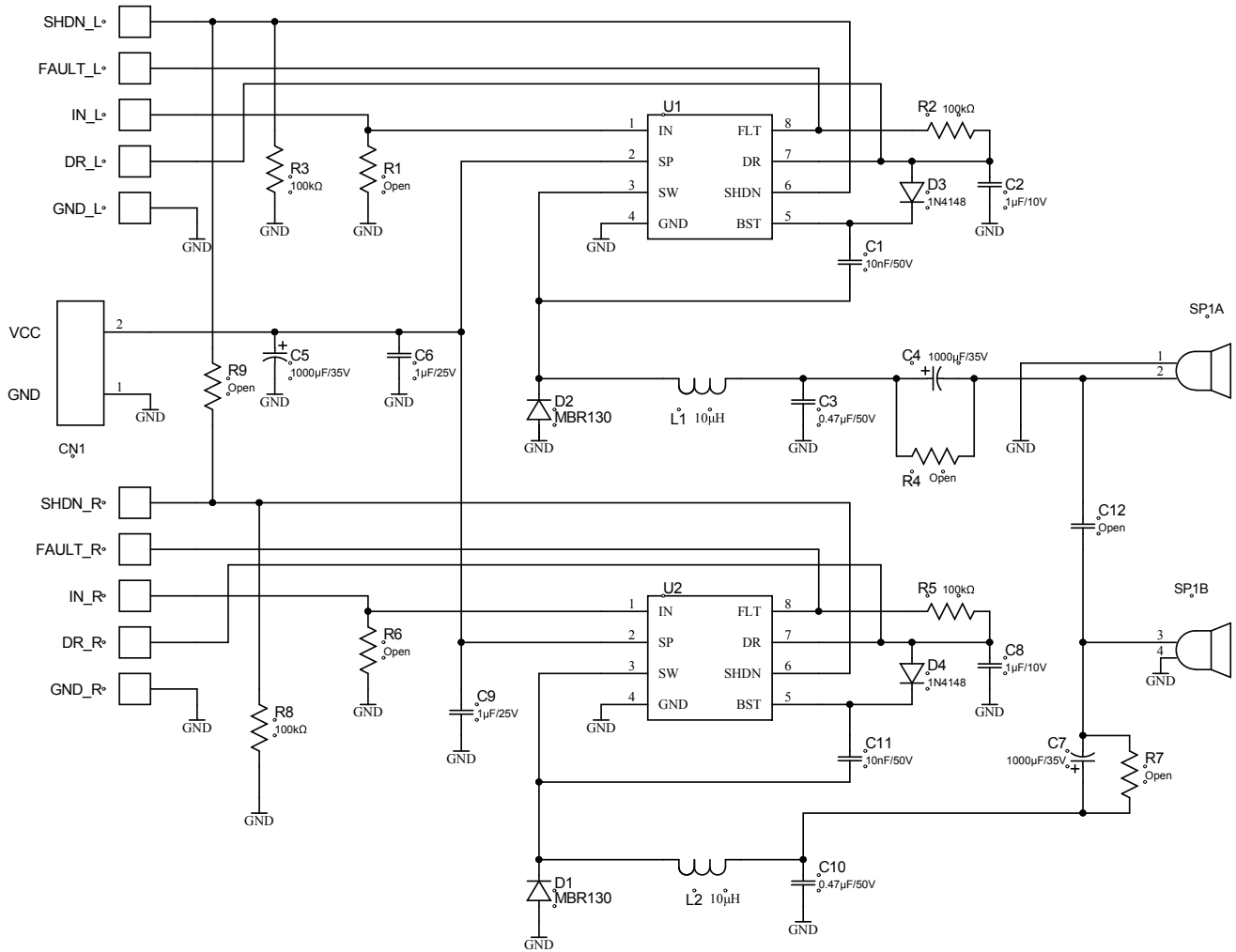


Figure 1: Top-Side Evaluation Board Diagram

**EVALUATION BOARD SCHEMATIC**


**EV8040-N-00A BILL OF MATERIALS**

Qty	Ref	Value	Description	Package	Manufacturer	Manufacturer P/N
2	U1, U2	24V, 4.25A	PWM power driver	SOIC-8N	MPS	MP8040DN
3	C4, C5, C7	1000 $\mu$ F	Electrolytic capacitor, 35V, DIP	12.5 x 20	Jiang Hai	CD263-35V1000
3	C3, C10	0.47 $\mu$ F	Film capacitor, 50V	5.08	Panasonic	ECQV1H474JL
2	C1, C11	10nF	Ceramic capacitor, 50V, NPO/X7R	0603	murata	GRM188R71H103KA01D
2	C2, C8	1 $\mu$ F	Ceramic capacitor, 10V, X7R	0805	murata	GRM21BR71A105KA01L
2	C6, C9	1 $\mu$ F	Ceramic capacitor, 25V, X7R	1206	murata	GRM31MR71E105KA01
2	L1, L2	10 $\mu$ H	10 $\mu$ H, 5A, inductor	DIP	wurth	7447471100
4	R2, R3, R5, R8	100k $\Omega$	5% resistor	0805	Yageo	RC0805JR-07100KL
2	D1, D2	1A, 30V	1A, 30V, Schottky rectifier	SMB	On Semiconductor	MBRS130T3G
2	D3, D4	300mA, 100V	300mA, 100V, rectifier	SOD123	Diodes Inc.	1N4148WS
10	IN_L, SHDN_L, FAULT_L, DR_L, GND_L, IN_R, SHDN_R, FAULT_R, DR_R, GND_R	2.54mm	2.54mm Connector	DIP	Electrical Market	61304011121
4	SP1	$\Phi$ = 1mm	1mm connector	DIP	Electrical Market	$\Phi$ = 1mm Needle
2	CN1	$\Phi$ = 2mm	2mm connector	DIP	Electrical Market	$\Phi$ = 2mm Needle

### PCB LAYOUT

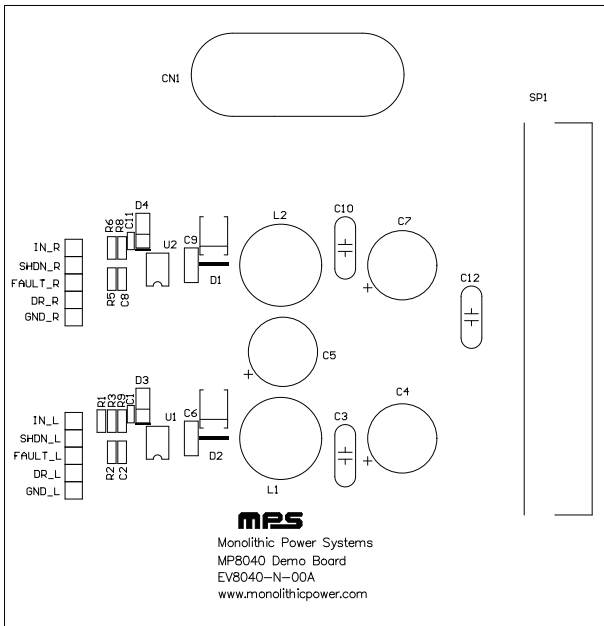


Figure 2: Top Silk Layer

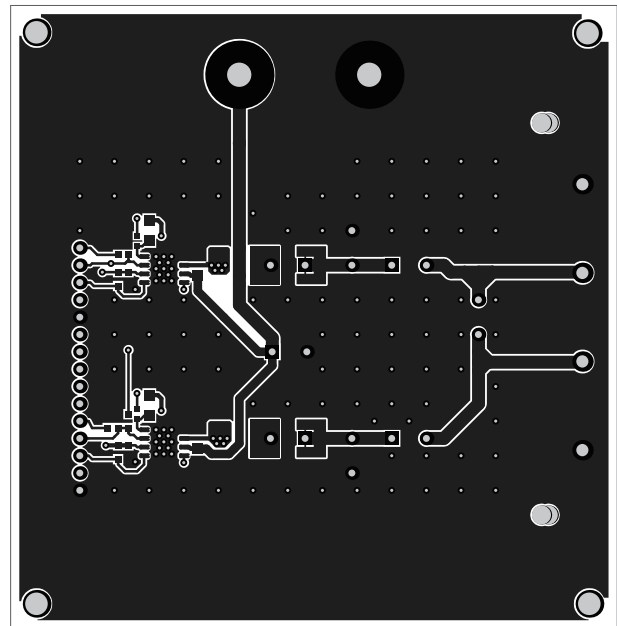


Figure 3: Top Layer

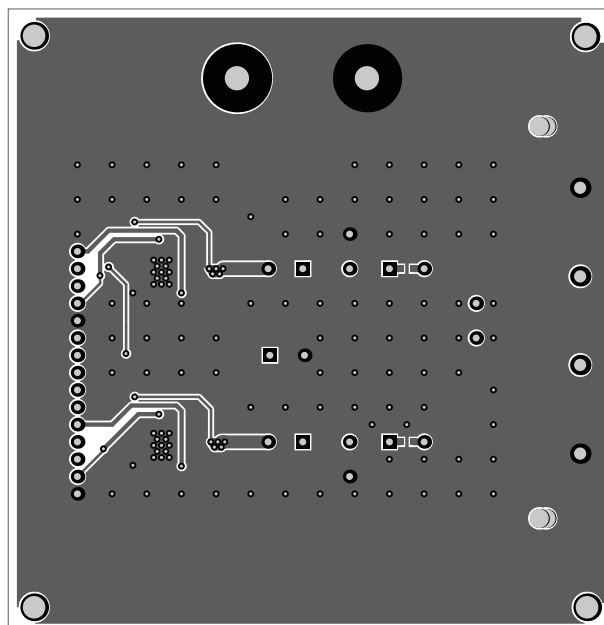


Figure 4: Bottom Layer

**Notice:** The information in this document is subject to change without notice. Please contact MPS for current specifications. Users should warrant and guarantee that third-party Intellectual Property rights are not infringed upon when integrating MPS products into any application. MPS will not assume any legal responsibility for any said applications.