



EVM3824-PA-01A

2.75V to 6V, 2A, Ultra-Small and Ultra-Low Noise Power Module Evaluation Board

DESCRIPTION

The EVM3824-PA-01A is an evaluation board designed to demonstrate the capabilities of the MPM3824, a synchronous, step-down power module with an integrated inductor. The MPM3824 achieves 2A of continuous output current (I_{OUT}) from a 2.75V to 6V input voltage (V_{IN}) range with excellent load and line regulation.

The MPM3824 works in advanced asynchronous modulation (AAM) mode under

light loads, and it can switch to continuous conduction mode (CCM) under heavy loads for a small output voltage ripple. Full protection features include cycle-by-cycle current limiting, short-circuit protection (SCP) with hiccup mode, and thermal shutdown.

It is recommended to read the MPM3824 datasheet prior to making any changes to the EVM3824-PA-01A.

PERFORMANCE SUMMARY ⁽¹⁾

Specifications are at $T_A = 25^\circ\text{C}$, unless otherwise noted.

Parameters	Conditions	Value
Input voltage (V_{IN}) range	Default configuration	2.75V to 6V
Output voltage (V_{OUT})	Default configuration	1.2V
Maximum output current (I_{OUT})	$V_{IN} = 2.75\text{V to }6\text{V}$	2A
Typical efficiency	$V_{IN} = 4.2\text{V}$, $V_{OUT} = 1.2\text{V}$, $I_{OUT} = 2\text{A}$	85.64%
Peak efficiency	$V_{IN} = 4.2\text{V}$, $V_{OUT} = 1.2\text{V}$, $I_{OUT} = 1\text{A}$	88.05%
Switching frequency (f_{sw})	Continuous conduction mode (CCM)	1250kHz

Note:

- 1) For different input/output voltage specifications with different output capacitors, the application circuit parameters may require changes.

EVALUATION BOARD



LxWxH (5cmx5cmx1.6mm)

Board Number	MPS IC Number
EVM3824-PA-01A	MPM3824GPA

QUICK START GUIDE

The EVM3824-PA-01A evaluation board is designed to evaluate the performance of the MPM3824. For the proper measurement equipment set-up, refer to Figure 1 and follow the steps below:

1. Preset the power source (V_{IN}) to be between 2.75V and 6V. ⁽²⁾
2. Turn the power source off.
3. Connect the power source terminals to:
 - a. Positive (+): V_{IN}
 - b. Negative (-): GND
4. Connect the load terminals to: ⁽³⁾
 - a. Positive (+): V_O
 - b. Negative (-): GND
5. After making the connections, turn the power supply on. The board should automatically start up.
6. Check for the proper output voltage (V_{OUT}) from the V_{O+S} and V_{O-S} turrets.
7. Once the target V_{OUT} is established, adjust the load within the operating range then measure the efficiency, output voltage ripple, and other parameters. When measuring the output voltage ripple and input voltage ripple, do not use the long ground lead on the oscilloscope probe.

Notes:

- 2) Ensure that V_{IN} does not exceed 6V.
- 3) The initial load should be set to 0A.

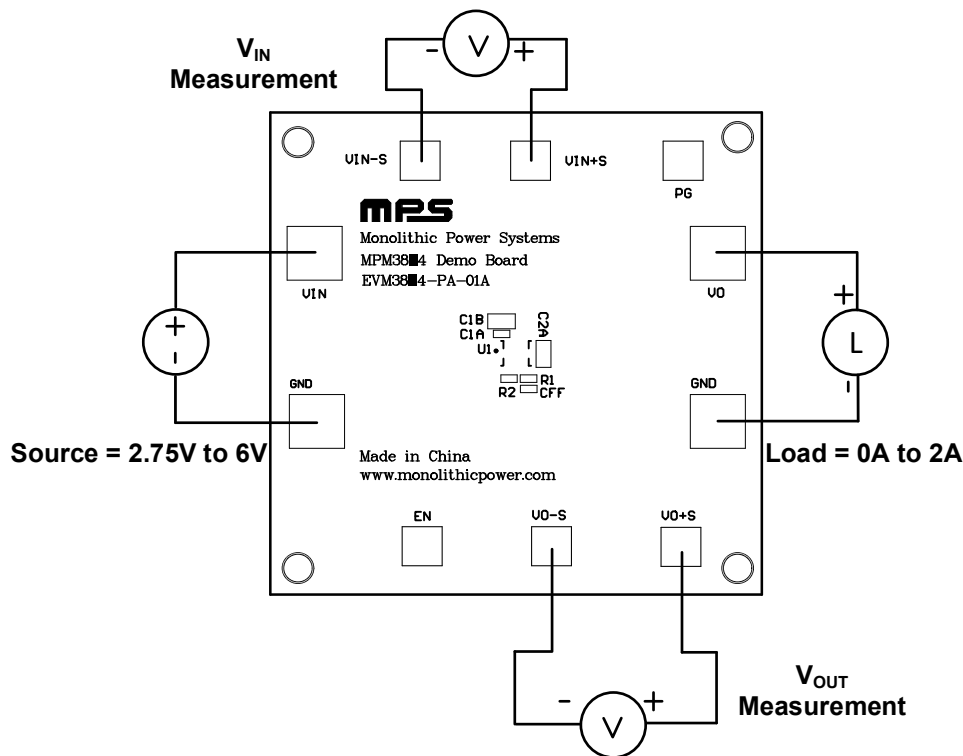


Figure 1: Measurement Equipment Set-Up

EVALUATION BOARD SCHEMATIC

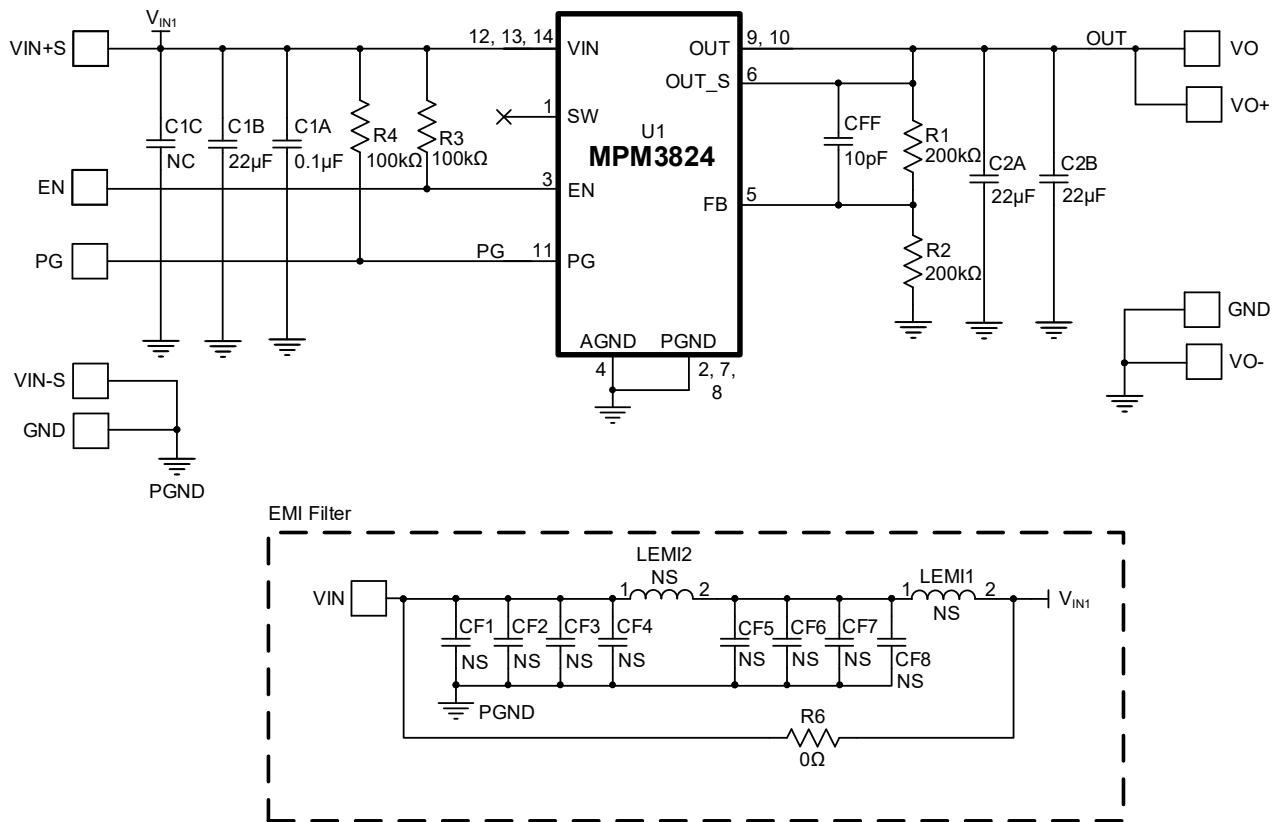


Figure 2: Evaluation Board Schematic

EVM3824-PA-01A BILL OF MATERIALS

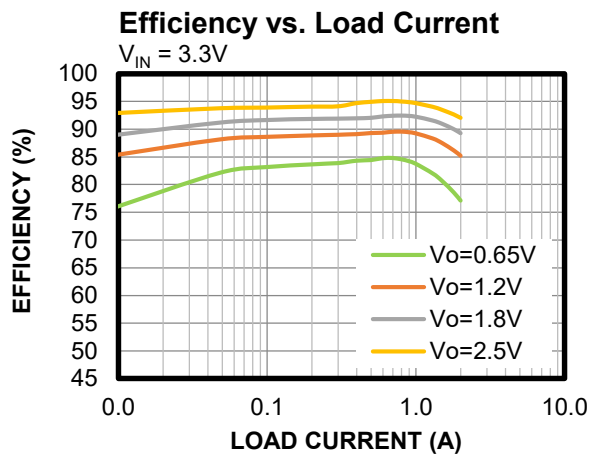
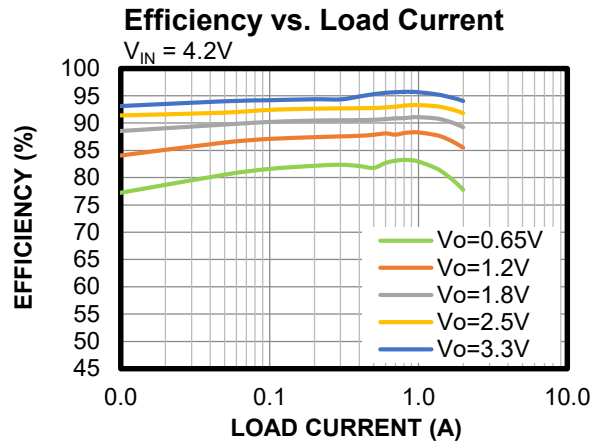
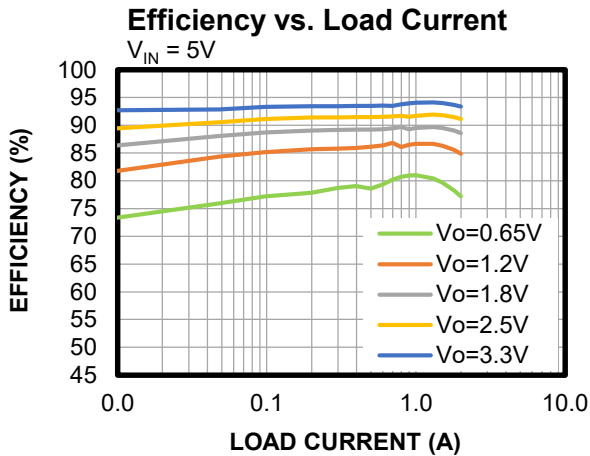
Qty	Ref	Value	Description	Package	Manufacturer	Manufacturer PN
1	C1A	0.1 μ F	Ceramic capacitor, 16V, X7R	0402	TDK	C1005X7R1C104KT000E
3	C1B, C2A, C2B	22 μ F	Ceramic capacitor, 10V, X7S	0805	TDK	C2012X7S1A226M
1	CFE	10pF	Ceramic capacitor, 10V, X7R	0402	TDK	C1005X7R1C100KT000E
2	R1, R2	200k Ω	Film resistor, 1%	0402	Yageo	RC0402FR-07200KL
2	R3, R4	100k Ω	Film resistor, 1%	0402	Yageo	RC0402FR-07100KL
1	R6	0 Ω	Film resistor, 1%	2512	Yageo	RC2512FK-070RL
4	VIN, VO, GND, GND	2mm	Copper pin	DIP	Custom	
6	VIN+S, VIN-S, VO+S, VO-S, EN, PG	1mm	Copper pin	DIP	Custom	
1	U1	MPM3824	6V/2A, step-down power module	LGA-14 (2.5mmx 2.5mmx 1.2mm)	MPS	MPM3824GPA

Note:

4) MPS custom-produces these pins. Contact MPS for details.

EVB TEST RESULTS

Performance curves and waveforms are tested on the evaluation board. $V_{IN} = 5V$, $V_{OUT} = 1.2V$, $C_{OUT} = 22\mu F$ ceramic capacitor, AAM mode, $T_A = 25^\circ C$, unless otherwise noted.

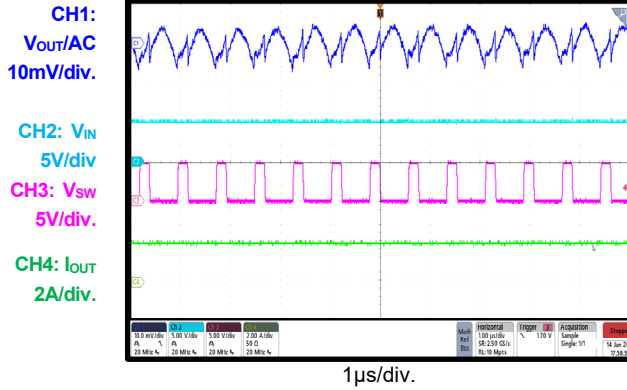


EVB TEST RESULTS (continued)

Performance curves and waveforms are tested on the evaluation board. $V_{IN} = 5V$, $V_{OUT} = 1.2V$, $C_{OUT} = 22\mu F$ ceramic capacitor, AAM mode, $T_A = 25^\circ C$, unless otherwise noted.

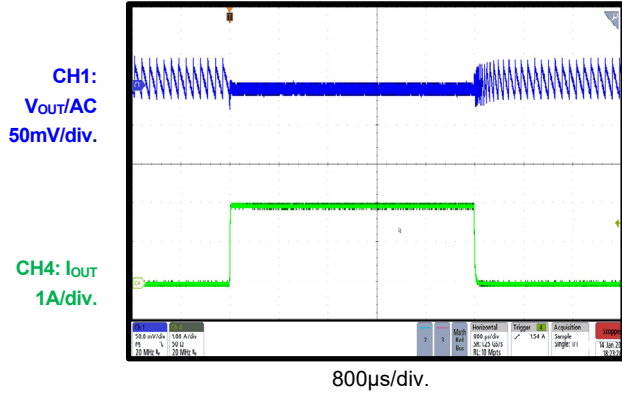
Steady State

$V_{IN} = 5V$, $V_{OUT} = 1.2V$, $I_{OUT} = 2A$



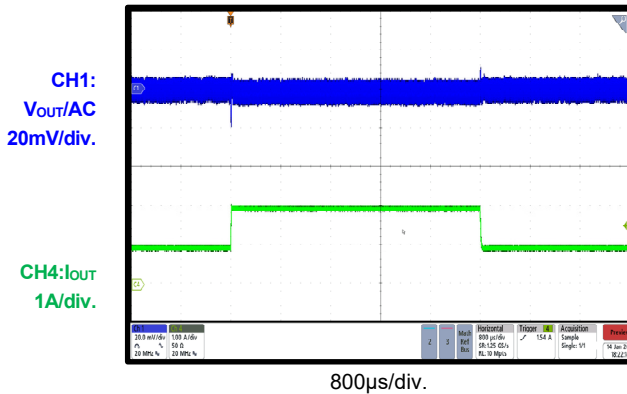
Load Transient

$V_{IN} = 5V$, $V_{OUT} = 1.2V$, $I_{OUT} = 0A$ to $2A$, $2.5A/\mu s$ e-load



Load Transient

$V_{IN} = 5V$, $V_{OUT} = 1.2V$, $I_{OUT} = 1A$ to $2A$, $2.5A/\mu s$ e-load



PCB LAYOUT

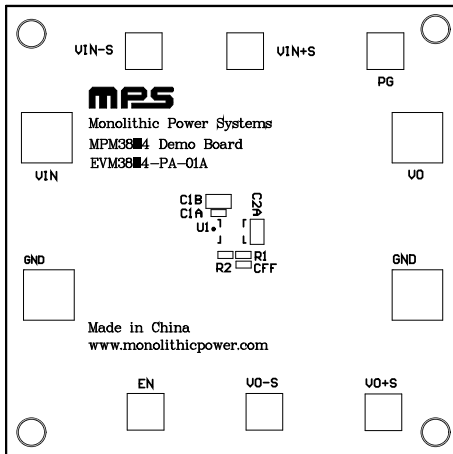


Figure 3: Top Silk

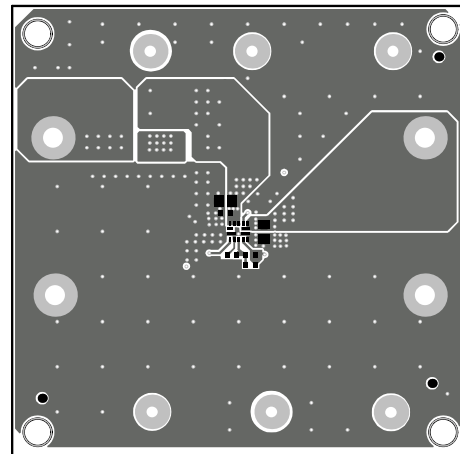


Figure 4: Top Layer

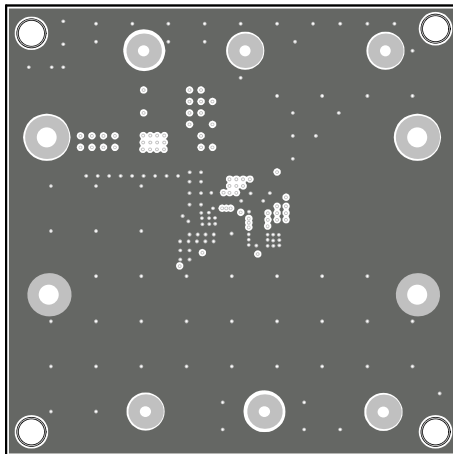


Figure 5: Mid-Layer 1

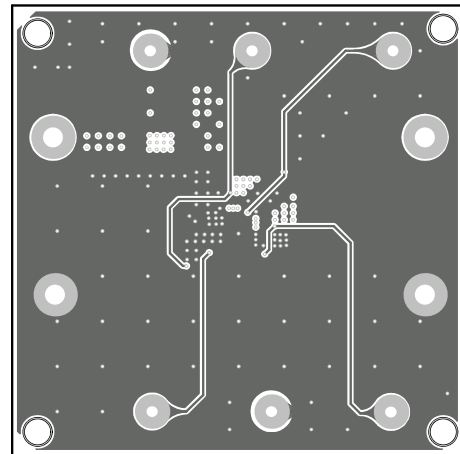


Figure 6: Mid-Layer 2

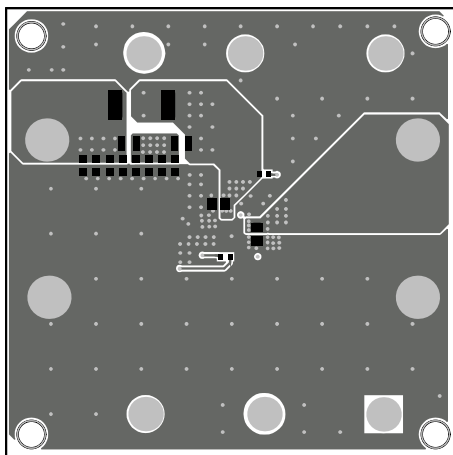


Figure 7: Bottom Layer

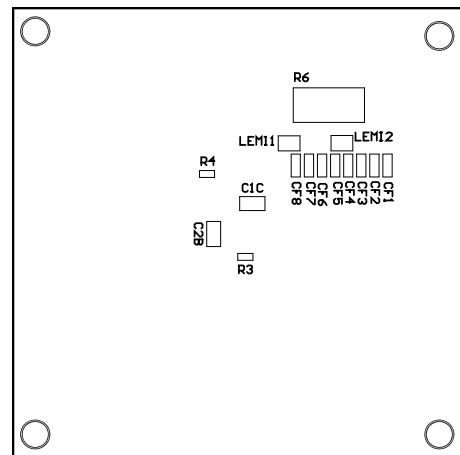


Figure 8: Bottom Silk



REVISION HISTORY

Revision #	Revision Date	Description	Pages Updated
1.0	2/28/2025	Initial Release	-

Notice: The information in this document is subject to change without notice. Please contact MPS for current specifications. Users should warrant and guarantee that third-party Intellectual Property rights are not infringed upon when integrating MPS products into any application. MPS will not assume any legal responsibility for any said applications.