

### DESCRIPTION

The MP6610 is a ½-H-bridge driver, with current measurement and regulation features. It can operate from a supply voltage from 4V to 55V and can deliver up to 3A output current (depending on package, PCB design, and ambient temperature). The MP6610 can be used to drive DC brush motors, solenoids, or other loads.

An internal current sensing circuit provides an output whose voltage is proportional to the load current. In addition, cycle-by-cycle current regulation / limiting is provided. These features do not require the use of a low-ohm shunt resistor.

Internal diagnostic and protection features include open load detection, over-current protection, undervoltage lockout (UVLO), and thermal shutdown.

The MP6610 is available in 8-pin TSOT23 and SOIC packages. Note that due to the small pin spacing, the TSOT23 package is only recommended for use up to 45V, unless conformal coating or encapsulation is used.

### FEATURES

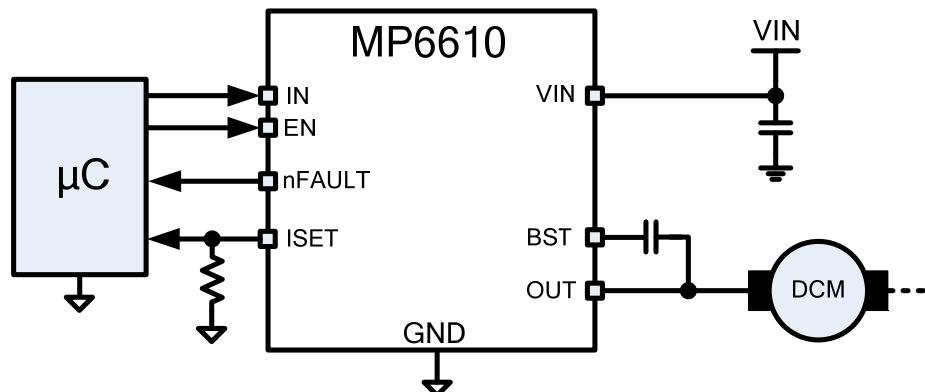
- Wide 4V to 55V Input Voltage Range
- 3A Maximum Output Current
- Internal Half-H-Bridge Driver
- Cycle-by-cycle Current Regulation / Limit
- Low On Resistance (HS: 100mΩ; LS: 128mΩ)
- No Control Power Supply Required
- Simple, Versatile Logic Interfaces
- Inputs Compatible with 2.5V, 3.3V and 5V Logic
- Overcurrent Protection
- Open Load Detection
- Thermal Shutdown
- Under voltage Lockout
- Fault Indication Output
- Thermally Enhanced Package

### APPLICATIONS

- Solenoid Drivers
- Relay Drivers
- DC Brush Motor Drive

All MPS parts are lead-free, halogen-free, and adhere to the RoHS directive. For MPS green status, please visit the MPS website under Quality Assurance. "MPS", the MPS logo, and "Simple, Easy Solutions" are trademarks of Monolithic Power Systems, Inc. or its subsidiaries.

### TYPICAL APPLICATION



### ORDERING INFORMATION

Part Number*	Package	Top Marking
MP6610GJ*	TSOT23-8	See Below
MP6610GS**	SOIC-8	See Below

\* For Tape & Reel, add suffix -Z (e.g. MP6610GJ-Z).

\*\* For Tape & Reel, add suffix -Z (e.g. MP6610GS-Z)

### TOP MARKING (MP6610GJ)

**| AVRY**

AVR: product code of MP6610GJ

Y: year code

### TOP MARKING (MP6610GS)

**MP6610**  
**LLLLLLLL**  
**MPSYWW**

MP6610: part number

LLLLLLLL: lot number

MPS: MPS prefix

Y: year code

WW: week code

### PACKAGE REFERENCE

