

PRELIMINARY SPECIFICATIONS SUBJECT TO CHANGE

DESCRIPTION

The MP8009 is an integrated IEEE 802.3af/at PoE compliant Powered Device (PD) power supply converter. It includes PD interface and high efficiency flyback/forward controller.

The PD interface has all the functions of IEEE 802.3af/at, including detection, 1-event and 2-event classification, 120mA inrush current limit, 840mA operation current limit as well as 100V Hot-swap MOSFET.

The flyback/forward controller is specifically designed for both low cost, small size isolated solution with primary-side regulate (PSR) flyback application, and high efficiency secondary-side regulate (SSR) active-clamped forward application. It also can be used in SSR flyback topology.

The MP8009 can support a front-end solution for PoE-PD application with minimum external components. It is available in QFN-28 (4mmX5mm) package.

FEATURES

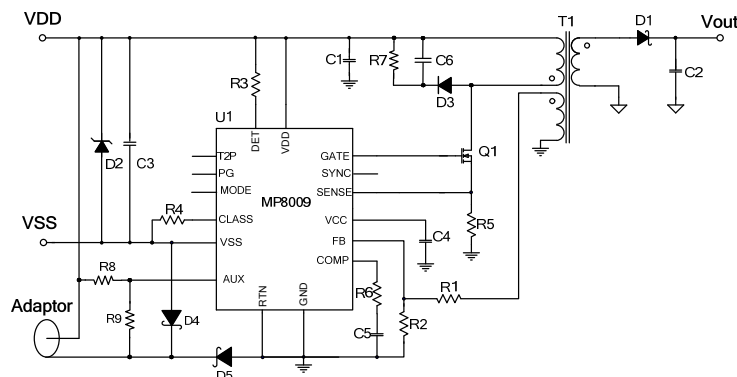
- Compatible with 802.3af/at Specifications
- 100V 0.48Ω PD Integrated Pass Switch
- 120mA PD Inrush Current
- 840mA PD Operation Current Limit
- Auxiliary Adaptor ORing Power Supply
- Support Flexible Topology Design
 - Primary-Side Regulated (PSR) Flyback
 - Secondary-Side Regulated (SSR) Flyback
 - Secondary-Side Regulated (SSR) Active-Clamp Forward
- 2A GATE and 0.8A SYNC Drivers
- 160mV Switching Current Sense Limit
- Output Diode Compensation in PSR Mode
- 250kHz Fixed Switching Frequency
- Hiccup Protection for OLP, SCP, OVP and Thermal Shutdown
- EMI Reduction with Frequency Dithering
- Available in QFN-28 (4mmx5mm) Package

APPLICATIONS

- IEEE 802.3af/at-Compliant Devices
- Security Camera
- Video Telephone
- WLAN Access Points
- IoT Devices

All MPS parts are lead-free, halogen free, and adhere to the RoHS directive. For MPS green status, please visit MPS website under Quality Assurance. "MPS" and "The Future of Analog IC Technology" are Registered Trademarks of Monolithic Power Systems, Inc.

TYPICAL APPLICATION



Efficiency
PSR Fly-back, $V_{OUT}=12V$

