



MP8128

1A LNB Power Regulator

With I²C Interface and DiSEqC 2.x Function

PRELIMINARY SPECIFICATIONS SUBJECT TO CHANGE

DESCRIPTION

The MP8128 is a highly integrated voltage regulator designed to provide efficient, low-noise power and interface signals to satellite receiver's Low Noise Block (LNB) of antenna port. It provides 22kHz tone signal and standard I²C interface for satellite receivers. It is compatible with both DiSEqC 1.x and DiSEqC 2.x standard.

MP8128 integrates a boost regulator followed by a tracking linear regulator. The boost regulator provides a power source which is 1.1V higher than the final output voltage, while the tracking linear regulator provides clean power and protects the output against overloads or shorts.

The MP8128 provides a number of features including voltage selection, over current protection, I²C interface and 22kHz tone signal control, offers a simple solution with low component count and high efficiency.

The MP8128 is available in QFN-20 (3X3mm) package.

FEATURES

- DiSEqC 1.x and DiSEqC 2.x compatible
- Complete integrate I²C interface
- 8V-to-14V input voltage
- 40V V_{OUT} rating
- Up to 1A programmable current limit
- Low-noise LDO output
- 440kHz switching frequency
- Selectable internal or external 22kHz signal source
- Selectable output voltage
- OCP, SCP and OVP protection
- Over-temperature protection
- Available in QFN-20 (3mmx3mm) package

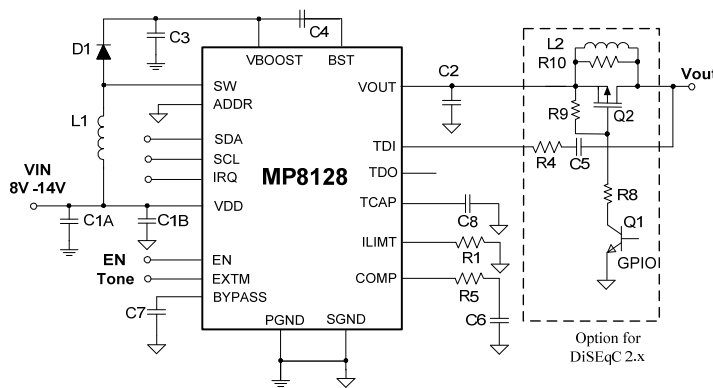
APPLICATIONS

- LNB Power Supply and Control for Satellite Set Top Boxes
- TV Satellite Receivers
- PC Card Satellite Receivers

All MPS parts are lead-free, halogen free, and adhere to the RoHS directive. For MPS green status, please visit MPS website under Quality Assurance.

"MPS" and "The Future of Analog IC Technology" are Registered Trademarks of Monolithic Power Systems, Inc.

TYPICAL APPLICATION



Efficiency vs. Load

LNB_OUT=18V

