

DESCRIPTION

The MP86992-C787 is a monolithic half-bridge with built-in internal power MOSFETs and gate drivers. It achieves 70A of continuous output current over a wide input supply range.

The MP86992-C787 takes a monolithic IC approach that drives up to 70A of current per phase. The integration of drivers and MOSFETs results in high efficiency due to an optimal dead time and parasitic inductance reduction. It can operate from 100kHz to 3MHz.

The device offers many features to simplify system design. The MP86992-C787 works with controllers with a tri-state PWM signal and comes with an accurate current sense to monitor the inductor current and temperature sense to report the junction temperature.

The device is ideal for server applications where efficiency and small size are a premium. The MP86992-C787 is available in an LGA (5mmx6mm) package.

FEATURES

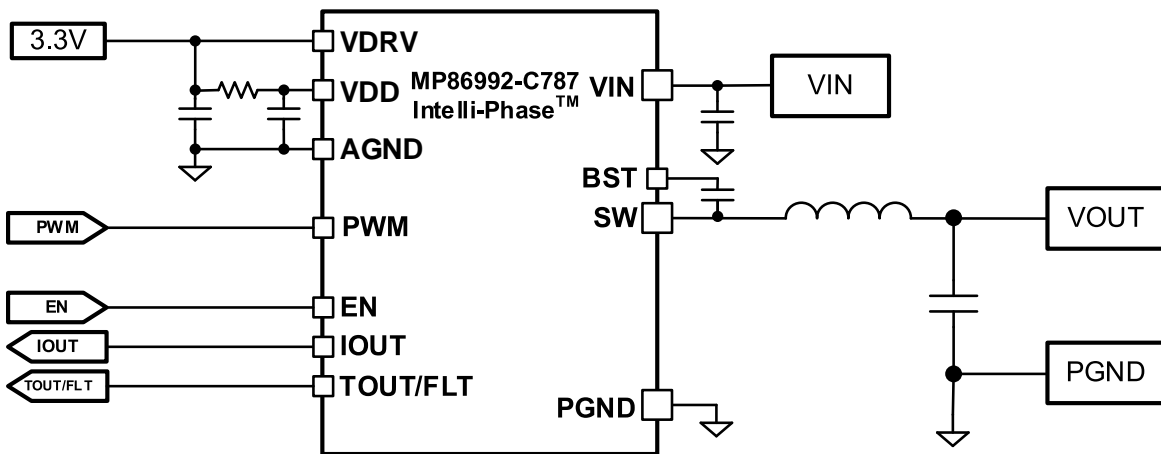
- Wide 3V to 16V Operating Input Range
- 70A Output Current
- Current Sense: Accu-Sense™
- Temperature Sense
- Accepts Tri-State PWM Signal
- Current-Limit Protection
- Over-Temperature Protection (OTP)
- Fault Reporting
- Available in an LGA (5mmx6mm) Package

APPLICATIONS

- Server Core Voltage
- Graphic Card Core Regulators
- Power Modules

All MPS parts are lead-free, halogen-free, and adhere to the RoHS directive. For MPS green status, please visit the MPS website under Quality Assurance. "MPS", the MPS logo, and "Simple, Easy Solutions" are trademarks of Monolithic Power Systems, Inc. or its subsidiaries.

TYPICAL APPLICATION



ORDERING INFORMATION

Part Number*	Package	Top Marking
MP86992GMJ-C787	LGA-41 (5mmx6mm)	See Below

* For Tape & Reel, add suffix -Z (e.g. MP86992GMJ-C787-Z).

TOP MARKING

MPSYYWW

MP86992

LLLLLLL

MPS: MPS prefix
 YY: Year code
 WW: Week code
 MP86992: Part number
 LLLLLLL: Lot number

PACKAGE REFERENCE

