



MPC12106-54-0750-0220

High-Efficiency, Fixed 4:1 Ratio, 800W Digital DC/DC Power Module

DESCRIPTION

The MPC12106-54-0750-0220 is a high-efficiency, non-isolated LLC-DCX power card module with a fixed 4:1 transformer turns ratio. The device operates from 40V to 60V DC primary bus and a 10V to 15V output voltage (V_{OUT}). It can deliver up to 800W of continuous power with a typical 54V input voltage (V_{IN}).

The built-in multiple-time programmable (MTP) memory can store and restore device configurations. The fault status, V_{IN} , V_{OUT} , output current (I_{OUT}), and temperature can be easily monitored via the digital interface.

The MPC12106-54-0750-0220 is available in a surface-mount (24mmx18mmx9.1mm) package.

FEATURES

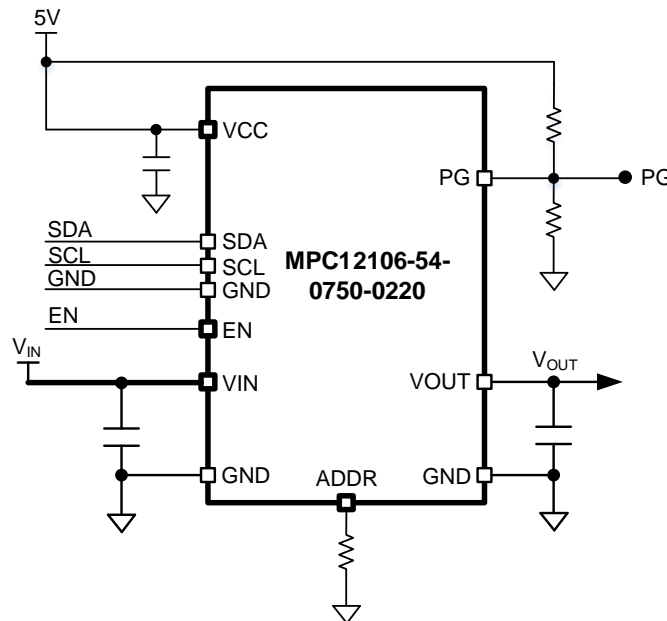
- Supports Up to 800W Continuous Power
- Built-In Multiple-Time Programmable (MTP) Memory to Store Custom Configurations
- Monitoring for Input Voltage (V_{IN}), Output Voltage (V_{OUT}), Output Current (I_{OUT}), and Temperature
- Protections Including V_{IN} Over-Voltage Protection (OVP) and Under-Voltage Protection (UVP), V_{OUT} OVP and UVP, Thermal Design Current (TDC) Over-Current Protection (OCP), Over-Current (OC) Spike, and Over-Temperature Protection (OTP)
- Available in a Surface-Mount (24mmx18mmx9.1mm) Package

APPLICATIONS

- Data Centers
- DC Power Distribution
- High-End Computing Systems

All MPS parts are lead-free, and adhere to the RoHS directive. For MPS green status, please visit the MPS website under Quality Assurance. "MPS", the MPS logo, and "Simple, Easy Solutions" are trademarks of Monolithic Power Systems, Inc. or its subsidiaries.

TYPICAL APPLICATION



ORDERING INFORMATION

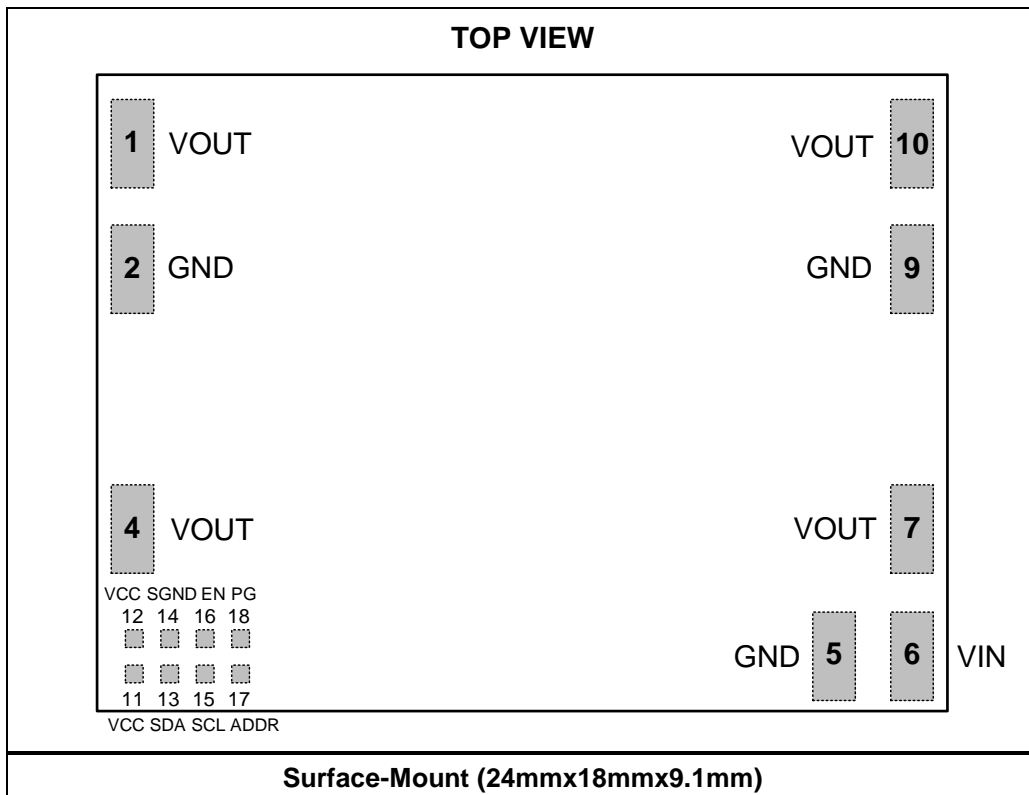
Part Number*	Package	Top Marking	MSL Rating
MPC12106-54-0750-0220	Surface-Mount	MPC12106-54	3

*For Tray, add suffix -T (e.g. MPC12106-54-0750-0220-T).

TOP MARKING

Date code
 Vendor's serial number
 LOT ID
 MPC12106-54

PACKAGE REFERENCE



Notice: The information in this document is subject to change without notice. Please contact MPS for current specifications. Users should warrant and guarantee that third-party Intellectual Property rights are not infringed upon when integrating MPS products into any application. MPS will not assume any legal responsibility for any said applications.