



DESCRIPTION

The MP18851 is an isolated, dual-channel gate driver solution with up to 4A of source and sink peak current capability. The gate driver is designed to drive power switching devices with a short propagation delay and minimal pulse-width distortion. By utilizing MPS's proprietary capacitive-based isolation technology, the driver can provide up to 5kV_{RMS} withstand voltage (per UL 1577) (SOIC wide-body package option). It can also provide a common-mode transient immunity (CMTI) rating above 100kV/μs between the input side and output driver. These advanced features enable high efficiency, high power density, and robustness in a wide variety of power applications.

The MP18851 integrates fully independent dual gate drivers in one package. Each output can be grounded to the separated grounds, or connected to a positive or negative voltage reference. The secondary topology can be configured as a half-bridge high-side (HS) and low-side (LS) driver, or as dual drivers each controlled by two independent input signals.

A wide primary-side VDDI supply voltage (V_{DDI}) range makes the driver suitable to be interfaced with 3.3V and 5V digital controllers. The secondary-side driver can accept up to a 30V supply. All of the supply voltage pins feature multiple under-voltage lockout (UVLO) protection options.

The MP18851 is available in SOIC-16 NB (narrow body), SOIC-16 WB (wide body), and LGA-13 (5mmx5mm) packages.

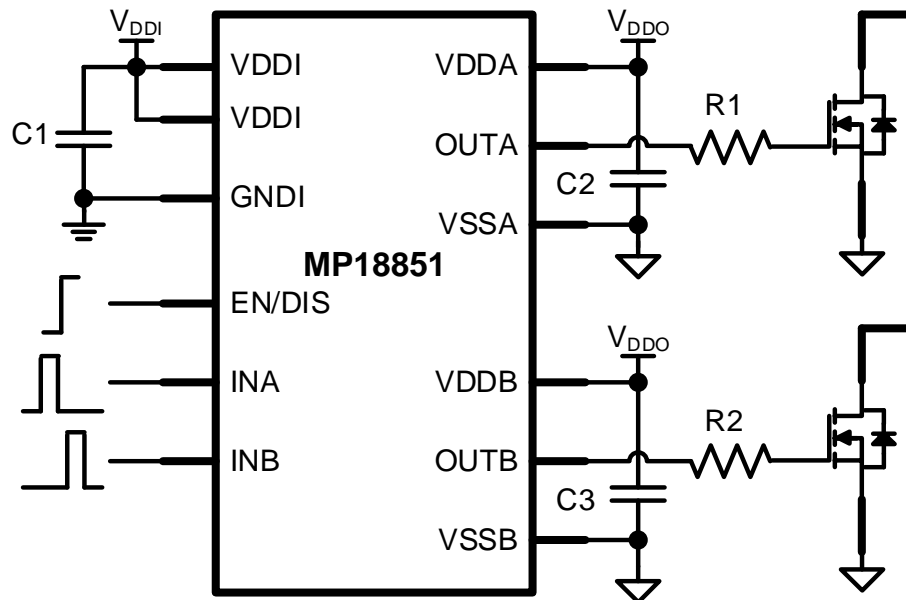
FEATURES

- Up to 5kV_{RMS} Input to Output Isolation (SOIC-16 WB Package)
- 1500V_{DC} Functional Isolation between Two Secondary-Side Drivers (SOIC-16 NB and SOIC-16 WB Packages)
- 700V_{DC} Functional Isolation between Two Secondary-Side Drivers (LGA-13 Package)
- Common-Mode Transient Immunity (CMTI) >100kV/μs
- 2.8V to 5.5V Input VDDI Voltage (V_{DDI}) Range to Interface with TTL and CMOS-Compatible Inputs
- Up to 30V Output Drive Supply with Several Under-Voltage Lockout (UVLO) Options
- 4A Source, 4A Sink Peak Current Output
- 50ns Typical Propagation Delay
- -40°C to +125°C Operating Temperature Range
- UL 1577 Certified:
 - SOIC-16 NB: 3kV_{RMS} Isolation for 60s
 - SOIC-16 WB: 5kV_{RMS} Isolation for 60s
 - LGA-13: 2.5kV_{RMS} Isolation for 60s
- DIN EN IEC 60747-17 (VDE 0884-17): 2021-10 Certified:
 - SOIC-16 NB: 4242V_{PK} Isolation
 - SOIC-16 WB: 6000V_{PK} Isolation
 - LGA-13: 3535V_{PK} Isolation
- CQC Certification per GB 4943.1-2011
- Available in SOIC-16 NB, SOIC-16 WB, and LGA-13 (5mmx5mm) Packages

APPLICATIONS

- Half/Full-Bridge Converters
- Isolated DC/DC Converters
- Offline Isolated AC/DC Converters
- DC/AC Inverters

All MPS parts are lead-free, halogen-free, and adhere to the RoHS directive. For MPS green status, please visit the MPS website under Quality Assurance. "MPS", the MPS logo, and "Simple, Easy Solutions" are trademarks of Monolithic Power Systems, Inc. or its subsidiaries.

TYPICAL APPLICATION

SELECTION GUIDE

| Part Number | Peak Output Current (A) | Output UVLO (V) | On/Off Logic | Input Logic | Configuration | Overlap Protection | Config. Dead Time | Package |
|-------------|-------------------------|-----------------|--------------|-------------|---------------|--------------------|-------------------|---|
| MP18851-4A | 4 | 3 | EN | INA/ INB | Dual drivers | - | - | SOIC-16 NB, SOIC-16 WB, LGA-13 (5mmx5mm) |
| MP18851-4B | | 5 | | | | | | |
| MP18851-4C | | 8 | | | | | | |
| MP18851-4D | | 10 | | | | | | |
| MP18851-4E | | 12 | | | | | | |
| MP18851-A4A | 4 | 3 | DIS | INA/ INB | Dual drivers | - | - | SOIC-16 NB, SOIC-16 WB, LGA-13 (5mmx5mm) |
| MP18851-A4B | | 5 | | | | | | |
| MP18851-A4C | | 8 | | | | | | |
| MP18851-A4D | | 10 | | | | | | |
| MP18851-A4E | | 12 | | | | | | |

ORDERING INFORMATION ⁽¹⁾

| Part Number* | Package | Top Marking | MSL Rating |
|----------------|------------------|------------------|------------|
| MP18851-4AGSE | SOIC-16 NB | | 2 |
| MP18851-4BGSE | | | |
| MP18851-4CGSE | | | |
| MP18851-4DGSE | | | |
| MP18851-4EGSE | | | |
| MP18851-A4AGSE | | | |
| MP18851-A4BGSE | | | |
| MP18851-A4CGSE | | | |
| MP18851-A4DGSE | | | |
| MP18851-A4EGSE | | | |
| MP18851-4AGY | SOIC-16 WB | <i>See Below</i> | 3 |
| MP18851-4BGY | | | |
| MP18851-4CGY | | | |
| MP18851-4DGY | | | |
| MP18851-4EGY | | | |
| MP18851-A4AGY | | | |
| MP18851-A4BGY | | | |
| MP18851-A4CGY | | | |
| MP18851-A4DGY | | | |
| MP18851-A4EGY | | | |
| MP18851-4AGLU | LGA-13 (5mmx5mm) | | 3 |
| MP18851-4BGLU | | | |
| MP18851-4CGLU | | | |
| MP18851-4DGLU | | | |
| MP18851-4EGLU | | | |
| MP18851-A4AGLU | | | |
| MP18851-A4BGLU | | | |
| MP18851-A4CGLU | | | |
| MP18851-A4DGLU | | | |
| MP18851-A4EGLU | | | |

* For Tape & Reel, add suffix -Z (e.g. MP18851-4AGSE-Z, MP18851-4AGY-Z, or MP18851-4AGLU-Z).

Note:

- 1) Contact MPS sales or our distributors to check the latest availability status for the ordering part numbers.

TOP MARKING

MP18851-4X (SOIC-16 NB and SOIC-16 WB Packages)

MPS YYWW

M18851-4X

LLLLLLLLLL

MPS: MPS prefix
YY: Year code
WW: Week code
M18851-4X: Part number
X: UVLO level code, where X = A, B, C, D, or E
LLLLLLLLLL: Lot number

TOP MARKING

MP18851-A4X (SOIC-16 NB and SOIC-16 WB Packages)

MPS YYWW

18851-A4X

LLLLLLLLLL

MPS: MPS prefix
YY: Year code
WW: Week code
18851-A4X: Part number
X: UVLO level code, where X = A, B, C, D, or E
LLLLLLLLLL: Lot number

TOP MARKING

MP18851-4X (LGA-13 5mmx5mm Package)

MPSYYWW

MP18851

LLLLLLL

4X

MPS: MPS prefix
YY: Year code
WW: Week code
MP18851: Part number
LLLLLLL: Lot number
4X: Remaining alphanumeric characters of part number
X: UVLO level code, where X = A, B, C, D, or E

TOP MARKING

MP18851-A4X (LGA-13 5mmx5mm Package)

MPSYYWW

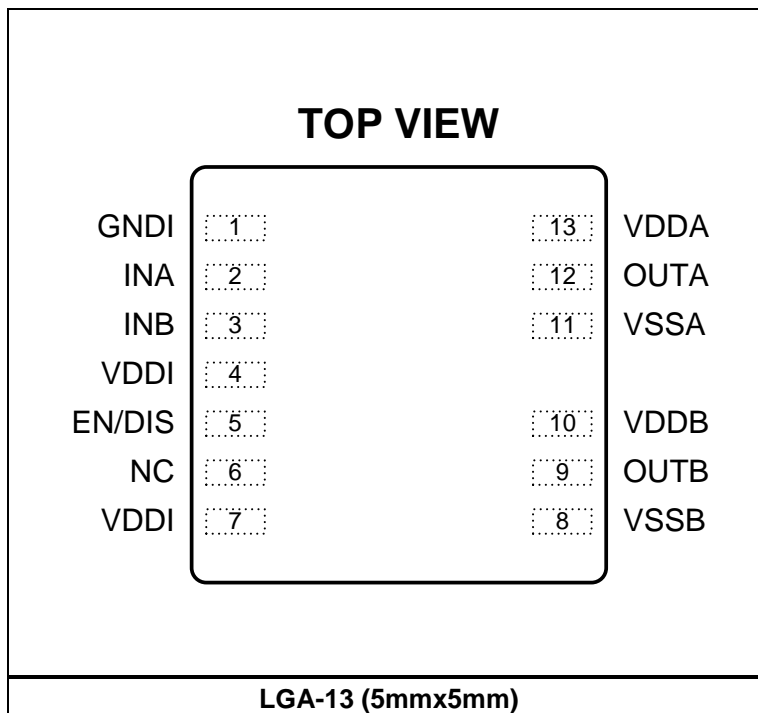
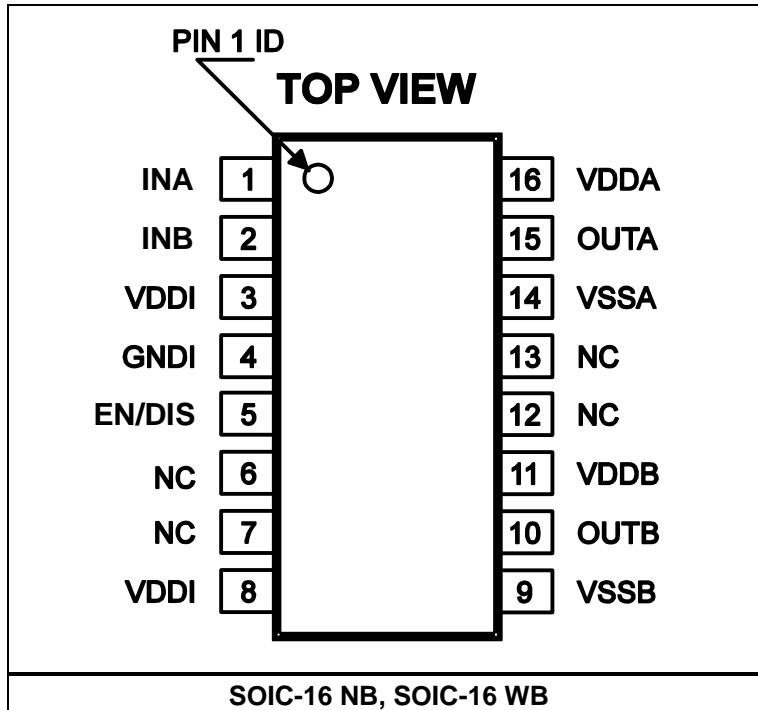
MP18851

LLLLLLL

A4X

MPS: MPS prefix
YY: Year code
WW: Week code
MP18851: Part number
LLLLLLL: Lot number
A4X: Remaining alphanumeric characters of part number
X: UVLO level code, where X = A, B, C, D, or E

PACKAGE REFERENCE



PIN FUNCTIONS

| Pin # | | Name | Description |
|---------------------------|--------|------|---|
| SOIC-16 NB, SOIC-16 WB | LGA-13 | | |
| 1 | 2 | INA | Non-inverting logic control signal input for driver A. The INA pin can accept a TTL/CMOS level compatible input logic. This pin is internally pulled down to GNDI. It is recommended to tie this pin to GNDI if not used. |
| 2 | 3 | INB | Non-inverting logic control signal input for driver B. The INB pin can accept a TTL/CMOS level compatible input logic. This pin is internally pulled down to GNDI. It is recommended to tie this pin to GNDI if not used. |
| 3, 8 | 4, 7 | VDDI | Input-side power supply input. VDDI supplies power to the primary-side control circuitry. These pins are internally shorted, and are locally decoupled to GNDI using a low-ESR/ESL bypass capacitor. The capacitor should be placed as close to the chip as possible. |
| 4 | 1 | GNDI | Input-side ground. Reference ground for all input-side signals and internal control blocks. |
| 5 | 5 | EN | Enable control input. The EN pin can be driven by an external TTL/CMOS level compatible input logic signal to enable/disable the chip. This pin is pulled high internally. Pull this pin high or leave it open to enable the chip; pull it low to shut down the driver output and disable the chip. |
| 5 | 5 | DIS | Disable control input. The DIS pin can be driven by an external TTL/CMOS level compatible input logic signal to enable/disable the chip. This pin is pulled low internally. Pull this pin low or leave it open to enable the chip; pull it high to shut down the driver output and disable the chip. |
| 6, 7, 12, 13 | 6 | NC | Not connected. |
| 9 | 8 | VSSB | Output-side ground for driver B. Reference ground for output driver B. |
| 10 | 9 | OUTB | Gate drive output for driver B. Connect this pin to the channel B power device gate. |
| 11 | 10 | Vddb | Output-side driver power supply input for driver B. This pin supplies power to the secondary-side driver B circuitry. It is locally decoupled to VSSB using a low-ESR/ESL bypass capacitor. The capacitor should be placed as close to the chip as possible. |
| 14 | 11 | VSSA | Output-side ground for driver A. Reference ground for output driver A. |
| 15 | 12 | OUTA | Gate drive output for driver A. Connect this pin to the channel A power device gate. |
| 16 | 13 | VDDA | Output-side driver power supply input for driver A. This pin supplies power to the secondary-side driver A circuitry. It is locally decoupled to VSSA using a low-ESR/ESL bypass capacitor. The capacitor should be placed as close to the chip as possible. |

ABSOLUTE MAXIMUM RATINGS ⁽²⁾

| | |
|--|--|
| $V_{DDI} - V_{GNDI}$ | -0.3V to +6.5V |
| $V_{INA}, V_{INB}, V_{EN/DIS}$ ($V_{GNDI} - 0.3V$) to ($V_{DDI} + 0.3V$) | |
| $V_{INA}, V_{INB}, V_{EN/DIS}$ transient for 50ns ($V_{GNDI} - 5V$) to ($V_{DDI} + 0.3V$) | |
| $V_{DDA} - V_{SSA}, V_{DDB} - V_{SSB}$ | -0.3V to +35V |
| V_{OUTA} | ($V_{SSA} - 0.3V$) to ($V_{DDA} + 0.3V$) |
| V_{OUTA} transient for 200ns ($V_{SSA} - 2V$) to ($V_{DDA} + 0.3V$) | |
| V_{OUTB} | ($V_{SSB} - 0.3V$) to ($V_{DDB} + 0.3V$) |
| V_{OUTB} transient for 200ns ($V_{SSB} - 2V$) to ($V_{DDB} + 0.3V$) | |
| $V_{SSA} - V_{SSB}$ SOIC-16 NB, SOIC-16 WB | -1500V to +1500V |
| LGA-13 (5mmx5mm) | -700V to +700V |
| Continuous power dissipation ($T_A = 25^\circ C$) ⁽³⁾ | |
| SOIC-16 WB | 2215mW |
| SOIC-16 NB | 2115mW |
| LGA-13 (5mmx5mm) | 1175mW |
| Junction temperature | 150°C |
| Lead temperature | 260°C |
| Storage temperature | -65°C to +150°C |

ESD Ratings

| | |
|----------------------------------|-------|
| Human body model (HBM) | 4000V |
| Charged device model (CDM) | 2000V |

Recommended Operating Conditions ⁽⁴⁾

| | |
|---|--------------------------------|
| $V_{DDI} - V_{GNDI}$ | 2.8V to 5.5V |
| $V_{INA}, V_{INB}, V_{EN/DIS}$ | V_{GNDI} to V_{DDI} |
| $V_{DDA} - V_{SSA}, V_{DDB} - V_{SSB}$ | 4.2V to 30V (3V UVLO option) |
| | 6.5V to 30V (5V UVLO option) |
| | 9.2V to 30V (8V UVLO option) |
| | 12V to 30V (10V UVLO option) |
| | 14.5V to 30V (12V UVLO option) |
| Operating junction temp (T_J) | -40°C to +125°C |

| Thermal Resistance ⁽⁵⁾ | θ_{JA} | θ_{JC} |
|--|---------------|---------------|
| SOIC-16 WB | 56 | 30... °C/W |
| SOIC-16 NB | 59 | 35... °C/W |
| LGA-13 (5mmx5mm) | 106 | 50... °C/W |

Notes:

- Exceeding these ratings may damage the device.
- The maximum allowable power dissipation is a function of the maximum junction temperature T_J (MAX), the junction-to-ambient thermal resistance θ_{JA} , and the ambient temperature T_A . The maximum allowable continuous power dissipation at any ambient temperature is calculated by P_D (MAX) = (T_J (MAX) - T_A) / θ_{JA} . Exceeding the maximum allowable power dissipation can produce an excessive die temperature, which may cause the regulator to go into thermal shutdown. Internal thermal shutdown circuitry protects the device from permanent damage.
- The device is not guaranteed to function outside of its operating conditions.
- Measured on the MP18851 evaluation board, 2-layer PCB.

ELECTRICAL CHARACTERISTICS

$2.8V \leq V_{DDI} - V_{GNDI} \leq 5.5V$, $V_{DDA} - V_{SSA} = V_{DDB} - V_{SSB} = 5V/12V/15V$ ⁽⁶⁾, $T_J = -40^\circ C$ to $+125^\circ C$, typical value is tested at $T_J = 25^\circ C$, all voltages with respect to the corresponding ground(s), unless otherwise noted.

| Parameters | Symbol | Conditions | Min | Typ | Max | Units |
|---|--|--|------|-----|------|------------|
| Input-Side Supply Voltage | | | | | | |
| V_{DDI} under-voltage lockout (UVLO) threshold | V_{DDI_UVLO} | $(V_{DDI} - V_{GNDI})$ falling | 2.42 | 2.6 | 2.78 | V |
| V_{DDI} UVLO hysteresis | $V_{DDI_UVLO_HYS}$ | | 100 | 120 | 140 | mV |
| Input-Side Supply Current | | | | | | |
| V_{DDI} shutdown current | I_{VDDI_SD} | $V_{EN} = V_{GNDI}$ or $V_{DIS} = V_{DDI}$ | | 1 | 1.3 | mA |
| V_{DDI} quiescent current | I_{VDDI_Q} | $V_{EN} = V_{DDI}$ or $V_{DIS} = V_{GNDI}$, $V_{INA/INB} = V_{GNDI}$ | | 1 | 1.3 | mA |
| V_{DDI} operating current | I_{VDDI} | $f = 500kHz$, 50% duty, $C_{LOAD} = 100pF$ | | 2 | 2.8 | mA |
| Logic Input (INA, INB, EN/DIS) | | | | | | |
| Logic input high threshold | V_{LI_H} | $(V_{LI} - V_{GNDI})$ rising | | 1.6 | 1.8 | V |
| Logic input low threshold | V_{LI_L} | $(V_{LI} - V_{GNDI})$ falling | 1 | 1.2 | | V |
| Logic input hysteresis voltage | V_{LI_HYS} | | 360 | 400 | 440 | mV |
| Internal pull-up resistance | R_{LI_PU} | EN | | 200 | | k Ω |
| Internal pull-down resistance | R_{LI_PD} | INA/INB, DIS | | 200 | | k Ω |
| Output-Side Supply Voltage | | | | | | |
| V_{DDA} , V_{DDB} UVLO threshold when $(V_{DDA} - V_{SSA})$ or $(V_{DDB} - V_{SSB})$ is falling | V_{DDA_UVLO} , V_{DDB_UVLO} | -A, 3V threshold | 2.7 | 3.2 | 3.7 | V |
| | | -B, 5V threshold | 5 | 5.5 | 6 | V |
| | | -C, 8V threshold | 7.5 | 8 | 8.5 | V |
| | | -D, 10V threshold | 9.3 | 10 | 10.7 | V |
| | | -E, 12V threshold | 11 | 12 | 13 | V |
| V_{DDA} , V_{DDB} UVLO hysteresis | $V_{DDA_UVLO_HYS}$, $V_{DDB_UVLO_HYS}$ | -A/-B, 3V/5V threshold, respectively | 200 | 300 | 400 | mV |
| | | -C, 8V threshold | 420 | 520 | 620 | mV |
| | | -D/-E, 10V/12V threshold, respectively | 0.8 | 1 | 1.2 | V |
| Output-Side Supply Current | | | | | | |
| V_{DDA} , V_{DDB} shutdown current | I_{VDDA_SD} , I_{VDDB_SD} | $V_{EN} = V_{GNDI}$ or $V_{DIS} = V_{DDI}$ | | 1 | 1.3 | mA |
| V_{DDA} , V_{DDB} quiescent current (current per channel) | I_{VDDA_Q} , I_{VDDB_Q} | $V_{EN} = V_{DDI}$ or $V_{DIS} = V_{GNDI}$, $V_{INA/INB} = V_{GNDI}$ | | 1 | 1.3 | mA |
| V_{DDA} , V_{DDB} operating current (current per channel) | I_{VDDA} , I_{VDDB} | $f = 500kHz$, $C_{LOAD} = 100pF$, $V_{DDA}/V_{DDB} = 12V$ | | 2.5 | 3 | mA |
| | | $f = 500kHz$, $C_{LOAD} = 100pF$, $V_{DDA}/V_{DDB} = 15V$ | | 3 | 4.6 | mA |

ELECTRICAL CHARACTERISTICS (continued)

$2.8V \leq V_{DDI} - V_{GNDI} \leq 5.5V$, $V_{DDA} - V_{SSA} = V_{DDB} - V_{SSB} = 5V/12V/15V$ ⁽⁶⁾, $T_J = -40^\circ C$ to $+125^\circ C$, typical value is tested at $T_J = 25^\circ C$, all voltages with respect to the corresponding ground(s), unless otherwise noted.

| Parameters | Symbol | Conditions | Min | Typ | Max | Units |
|---|--------------------------------------|---|-----------------------------------|-----------------------------------|-----------------------------------|----------|
| Gate Driver | | | | | | |
| Logic high output voltage | V_{OUTA_H} , V_{OUTB_H} | $I_{OUTA/OUTB} = -10mA$ | $V_{DDA}/$ V_{DDB} - 0.03 | $V_{DDA}/$ V_{DDB} - 0.01 | | V |
| Logic low output voltage | V_{OUTA_L} , V_{OUTB_L} | $I_{OUTA/OUTB} = 10mA$ | | $V_{SSA}/$ V_{SSB} + 0.01 | $V_{SSA}/$ V_{SSB} + 0.03 | V |
| Peak output source current ⁽⁷⁾ | I_{OUTA_SRC} , I_{OUTB_SRC} | $V_{DDA} - V_{SSA} = V_{DDB} - V_{SSB} = 15V$, $V_{OUTA/OUTB} - V_{SSA/SSB} = 5V$ (5V Miller plateau), $f = 1kHz$ | | -4 | | A |
| Peak output sink current ⁽⁷⁾ | I_{OUTA_SNK} , I_{OUTB_SNK} | $V_{DDA} - V_{SSA} = V_{DDB} - V_{SSB} = 15V$, $V_{OUTA/OUTB} - V_{SSA/SSB} = 5V$ (5V Miller plateau), $f = 1kHz$ | | 4 | | A |
| Output source resistance | R_{OUTA_H} , R_{OUTB_H} | $I_{OUTA/OUTB} = -10mA$ | | 1.3 | 2.5 | Ω |
| Output sink resistance | R_{OUTA_L} , R_{OUTB_L} | $I_{OUTA/OUTB} = 10mA$ | | 1 | 2 | Ω |
| Switching ⁽⁸⁾ | | | | | | |
| Output rise time | t_R | $(V_{OUTA/OUTB} - V_{SSA/SSB})$ rising, $C_{LOAD} = 1.8nF$ | | 10 | 20 | ns |
| Output fall time | t_F | $(V_{OUTA/OUTB} - V_{SSA/SSB})$ falling, $C_{LOAD} = 1.8nF$ | | 10 | 20 | ns |
| Minimum pulse width | t_{PW_MIN} | Output pulse off if shorter than t_{PW_MIN} , $C_{LOAD} = 0pF$ | | 23 | 35 | ns |
| Propagation delay from INA/INB to the OUTA/OUTB rising edge | t_{PDLH} | $V_{EN} = V_{DDI}$ or $V_{DIS} = V_{GNDI}$, $C_{LOAD} = 0pF$ | 35 | 50 | 65 | ns |
| Propagation delay from INA/INB to the OUTA/OUTB falling edge | t_{PDHL} | $V_{EN} = V_{DDI}$ or $V_{DIS} = V_{GNDI}$, $C_{LOAD} = 0pF$ | 35 | 50 | 65 | ns |
| Propagation delay from enable true to the OUTA/OUTB rising edge | t_{PDEN} | $V_{INA/INB} = V_{DDI}$, $C_{LOAD} = 0pF$ | 35 | 50 | 65 | ns |
| Propagation delay from disable true to the OUTA/OUTB falling edge | t_{PDDIS} | $V_{INA/INB} = V_{DDI}$, $C_{LOAD} = 0pF$ | 35 | 50 | 65 | ns |
| Pulse-width distortion $ t_{PDLH} - t_{PDHL} $ | t_{PWD} | $C_{LOAD} = 0pF$ | | 1 | 6 | ns |
| Propagation delay matching (channel-to-channel) | t_{PDM} | $C_{LOAD} = 0pF$ | | 1 | 6 | ns |

ELECTRICAL CHARACTERISTICS (continued)

$2.8V \leq V_{DDI} - V_{GNDI} \leq 5.5V$, $V_{DDA} - V_{SSA} = V_{DDB} - V_{SSB} = 5V/12V/15V$ ⁽⁶⁾, $T_J = -40^\circ C$ to $+125^\circ C$, typical value is tested at $T_J = 25^\circ C$, all voltages with respect to the corresponding ground(s), unless otherwise noted.

| Parameters | Symbol | Conditions | Min | Typ | Max | Units |
|--|--------------------------------------|--|-----|-----|-----|------------|
| Switching ⁽⁸⁾ | | | | | | |
| Start-up delay from the input supply exiting UVLO to the output rising edge | t_{STU_VDDI} | $V_{EN} = V_{DDI}$ or $V_{DIS} = V_{GNDI}$, $V_{INA/INB} = V_{DDI}$, $C_{LOAD} = 0pF$ | 15 | 25 | 35 | μs |
| Shutdown delay from the input supply entering UVLO to the output falling edge ⁽⁷⁾ | t_{SHD_VDDI} | $V_{EN} = V_{DDI}$ or $V_{DIS} = V_{GNDI}$, $V_{INA/INB} = V_{DDI}$, $C_{LOAD} = 0pF$ | | 500 | | ns |
| Start-up delay from the output supply exiting UVLO to the output rising edge | t_{STU_VDDA} , t_{STU_Vddb} | $V_{EN} = V_{DDI}$ or $V_{DIS} = V_{GNDI}$, $V_{INA/INB} = V_{DDI}$, $C_{LOAD} = 0pF$ | 10 | 20 | 30 | μs |
| Shutdown delay from output supply entering UVLO to the output falling edge ⁽⁷⁾ | t_{SHD_VDDA} , t_{SHD_Vddb} | $V_{EN} = V_{DDI}$ or $V_{DIS} = V_{GNDI}$, $V_{INA/INB} = V_{DDI}$, $C_{LOAD} = 0pF$ | | 500 | | ns |
| Static common-mode transient immunity (CMTI) ⁽⁷⁾ | $CMTI_{STC}$ | $V_{EN} = V_{DDI}$ or $V_{DIS} = V_{GNDI}$, $V_{INA/INB} = V_{GNDI}$ or V_{DDI} , slew rate of V_{GNDI} vs. $V_{SSA/SSB}$, $V_{CM} = 1500V$ | 100 | | | $kV/\mu s$ |
| Dynamic CMTI ⁽⁷⁾ | $CMTI_{DYN}$ | $V_{EN} = V_{DDI}$ or $V_{DIS} = V_{GNDI}$, $f = 100kHz$ pulse at INA/INB , slew rate of V_{GNDI} vs. $V_{SSA/SSB}$, $V_{CM} = 1500V$ | 100 | | | $kV/\mu s$ |

Notes:

- 6) For the test conditions, $V_{DDA} - V_{SSA} = V_{DDB} - V_{SSB} = 5V$ is used for 3V UVLO devices; $V_{DDA} - V_{SSA} = V_{DDB} - V_{SSB} = 12V$ is used for 5V and 8V UVLO devices; and $V_{DDA} - V_{SSA} = V_{DDB} - V_{SSB} = 15V$ is used for 10V and 12V UVLO devices.
7) Guaranteed by characterization; not production tested.
8) See Figure 1, Figure 2, and Figure 3 on page 19 as well as Figure 4 on page 20 for details.

INSULATION AND SAFETY-RELATED SPECIFICATIONS

| Parameters | Symbol | Condition | SOIC-16 WB | SOIC-16 NB | LGA-13 | Units |
|--|--------------------|---|-------------------|------------|--------|------------------|
| External air gap (clearance) ⁽⁹⁾ | CLR | Shortest pin-to-pin distance through the air between the primary and secondary sides | >8 | >4 | 3.5 | mm |
| External tracking (creepage) ⁽⁹⁾ | CPG | Shortest pin-to-pin distance across the package surface between the primary and secondary sides | >8 | >4 | 3.5 | mm |
| Distance through insulation | DTI | Internal clearance | >20 | >20 | >20 | µm |
| Comparative tracking index | CTI | According to IEC60112 | >600 | >600 | >600 | V |
| Material group | | According to IEC 60664-1 | I | I | I | |
| Overvoltage category per IEC 60664-1 | | Rated mains voltages ≤ 150V _{RMS} | I-IV | I-IV | I-IV | |
| | | Rated mains voltages ≤ 300V _{RMS} | I-IV | I-III | I-III | |
| | | Rated mains voltages ≤ 600V _{RMS} | I-III | I-II | - | |
| UL 1577, 5th Edition | | | | | | |
| Recognized under UL 1577 Component Recognition Program, Single Protection. File number: E322138 | | | | | | |
| Dielectric withstanding insulation voltage | V _{ISO} | V _{TEST} = V _{ISO} for t = 60s (qualification), V _{TEST} = 1.2 x V _{ISO} for t = 1s (100% production) | 5000 | 3000 | 2500 | V _{RMS} |
| DIN EN IEC 60747-17 (VDE 0884-17): 2021-10 ⁽¹⁰⁾ | | | | | | |
| Certified according to DIN EN IEC 60747-17 (VDE 0884-17): 2021-10; EN IEC 60747-17:2020+AC: 2021. Certification number: 40055265 | | | | | | |
| Maximum repetitive peak isolation voltage | V _{IORM} | AC voltage (bipolar) | 891 | 560 | 560 | V _{PK} |
| Maximum working isolation voltage | V _{IOWM} | AC voltage (sine wave) | 630 | 400 | 400 | V _{RMS} |
| | | DC voltage | 891 | 560 | 560 | V _{DC} |
| Maximum transient isolation voltage | V _{IOTM} | V _{TEST} = V _{IOTM} for t = 60s (qualification), V _{TEST} = 1.2 x V _{IOTM} for t = 1s (100% production) | 6000 | 4242 | 3535 | V _{PK} |
| Apparent charge ⁽¹¹⁾ measuring voltage | V _{pd(m)} | Method b1, at routine test (100% production), V _{pd(ini)} = 1.2 x V _{IOTM} , t _{ini} = 1s, V _{pd(m)} = 1.875 x V _{IORM} , t _m = 1s, partial discharge < 5pC | 1697 | 1061 | 1061 | V _{PK} |
| Maximum surge isolation voltage ⁽¹²⁾ | V _{IOSM} | Tested per IEC 62368-1 with 1.2/50µs pulse, V _{TEST} = 1.3 x V _{IOSM} (qualification) | 4000 | 4000 | 3500 | V _{PK} |
| Barrier capacitance ⁽¹³⁾ | C _{IO} | f = 1MHz | ~1 | ~1 | ~1 | pF |
| Insulation resistance ⁽¹³⁾ | R _{IO} | V _{IO} = 500V, T _A = 25°C | >10 ¹² | | | Ω |
| | | V _{IO} = 500V, 100°C ≤ T _A ≤ 125°C | >10 ¹¹ | | | Ω |
| | | V _{IO} = 500V, T _A = T _S = 150°C | >10 ⁹ | | | Ω |
| Pollution degree | | Per DIN VDE 0110 Table 1 | 2 | | | |
| Climatic category | | | 40/125/21 | | | |

INSULATION AND SAFETY-RELATED SPECIFICATIONS (continued)

| |
|--|
| GB 4943.1-2011 |
| Certified according to CQC GB 4943.1-2011. File number: CQC22001348725, CQC22001348722, and CQC22001348723. |
| SOIC-16 WB: Reinforced insulation, altitude ≤ 5000m, 125°C thermal cycling test passed, 700V _P maximum working voltage |
| SOIC-16 NB: Basic insulation, altitude ≤ 5000m, 125°C thermal cycling test passed, 660V _P maximum working voltage |
| LGA-13: Basic insulation, altitude ≤ 5000m, 125°C thermal cycling test passed, 480V _P maximum working voltage |

Notes:

- 9) See the Package Information section on page 30 for detailed dimensions. As an isolated solution, the recommended land pattern is helpful to ensure adequate safety creepage and clearance distances on a PCB.
- 10) This coupler is suitable for “basic electrical insulation” only within the maximum operating ratings. Compliance with the safety ratings shall be ensured by means of suitable protective circuits.
- 11) Electrical discharge caused by a partial discharge in the coupler.
- 12) The surge test is carried out in oil.
- 13) The barrier’s primary-side and secondary-side terminals are connected, forming a two-terminal device. C_{IO} and R_{IO} are measured between the two terminals of the coupler.

SAFETY LIMITING VALUES ⁽¹⁴⁾

| Parameters | Symbol | Condition | SOIC-16 WB | SOIC-16 NB | LGA-13 | Units |
|---|------------------|--|------------|------------|--------|-------|
| Maximum safety temperature ⁽¹⁵⁾ | T _S | | 150 | 150 | 150 | °C |
| Maximum output safety current (current per channel) | I _{S_O} | V _{DDA} - V _{SSA} = V _{DDB} - V _{SSB} = 12V ⁽¹⁶⁾ , T _J = 150°C, T _A = 25°C | 91 | 87 | 48 | mA |
| | | V _{DDA} - V _{SSA} = V _{DDB} - V _{SSB} = 30V, T _J = 150°C, T _A = 25°C | 36 | 35 | 19 | mA |
| Safety power dissipation ⁽¹⁷⁾ | P _S | Input side | 15 | 15 | 15 | mW |
| | | Output side, channel A | 1100 | 1050 | 580 | mW |
| | | Output side, channel B | 1100 | 1050 | 580 | mW |
| | | Total | 2215 | 2115 | 1175 | mW |

Notes:

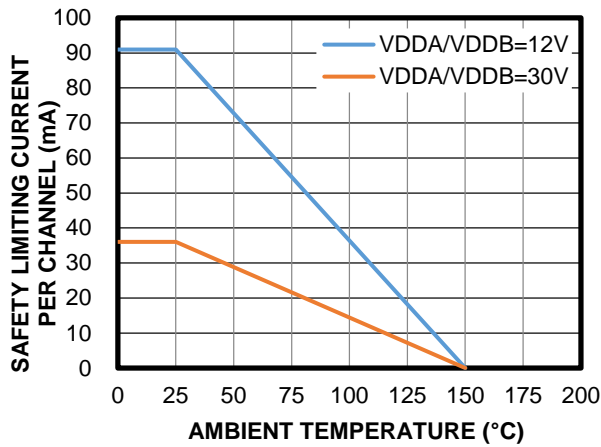
- 14) Maximum value allowed in the event of a failure.
- 15) The maximum safety temperature (T_S) has the same value as the maximum junction temperature, T_J (MAX), specified in the Absolute Maximum Ratings section on page 8.
- 16) Tested for 5V and 8V UVLO devices.
- 17) Test conditions: V_{DDI} - V_{GNDI} = 5.5V, V_{DDA} - V_{SSA} = V_{DDB} - V_{SSB} = 30V, T_J = 150°C, T_A = 25°C. The safety power dissipation is a function of the maximum junction temperature T_J (MAX), the junction-to-ambient thermal resistance θ_{JA}, and the ambient temperature T_A. This function can be calculated using the following equations:

$$T_S = T_J(\text{MAX}) = T_A + (\theta_{JA} \times P_S)$$

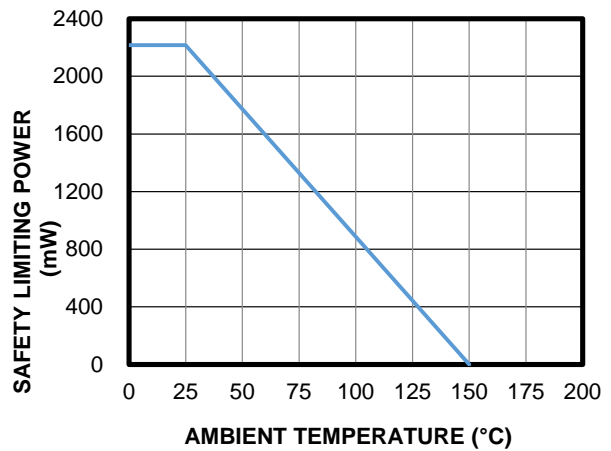
$$P_S = I_S \times V_I$$
 Where V_I is the input voltage.

THERMAL DERATING CURVES FOR SAFETY LIMITING VALUES

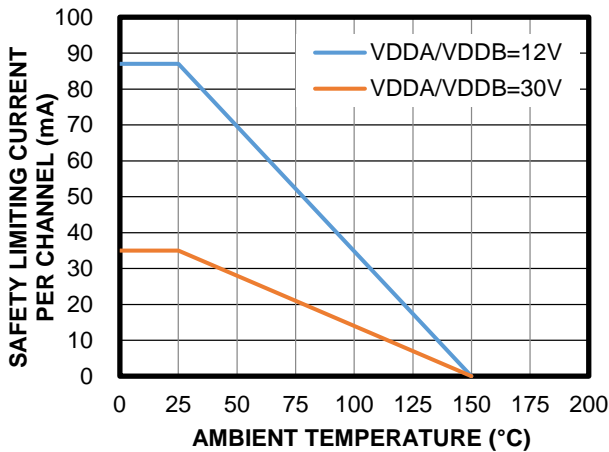
Thermal Derating Curve for Safety Limiting Current
SOIC-16 WB package



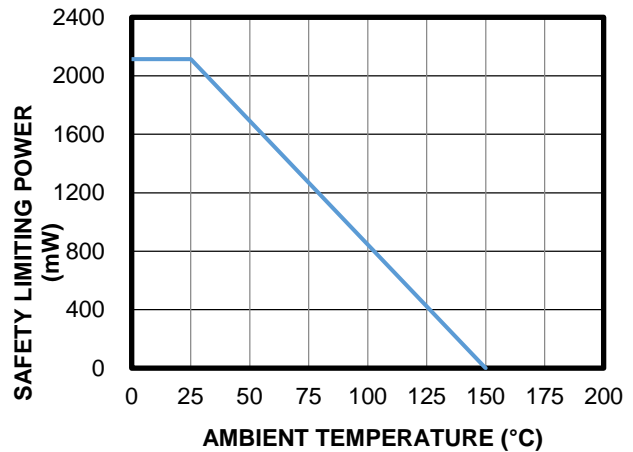
Thermal Derating Curve for Safety Limiting Power
SOIC-16 WB package



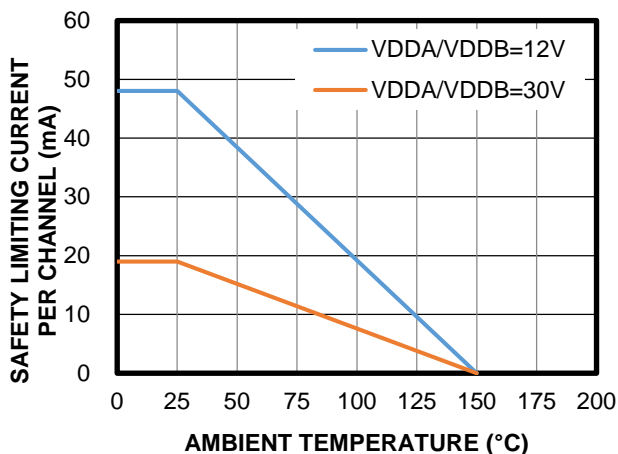
Thermal Derating Curve for Safety Limiting Current
SOIC-16 NB package



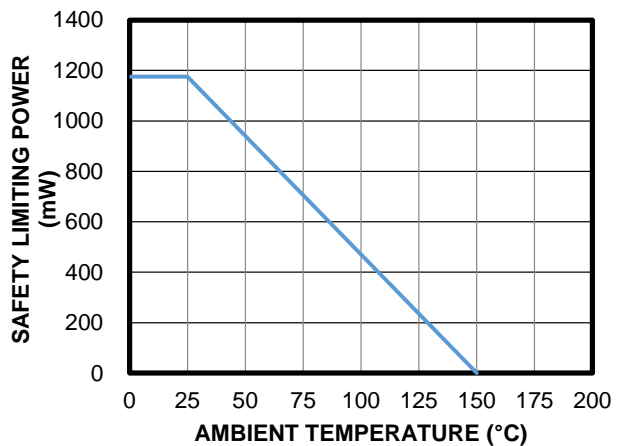
Thermal Derating Curve for Safety Limiting Power
SOIC-16 NB package



Thermal Derating Curve for Safety Limiting Current
LGA-13 package



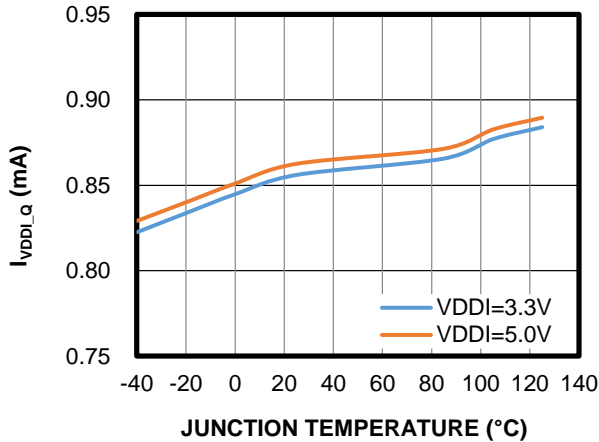
Thermal Derating Curve for Safety Limiting Power
LGA-13 package



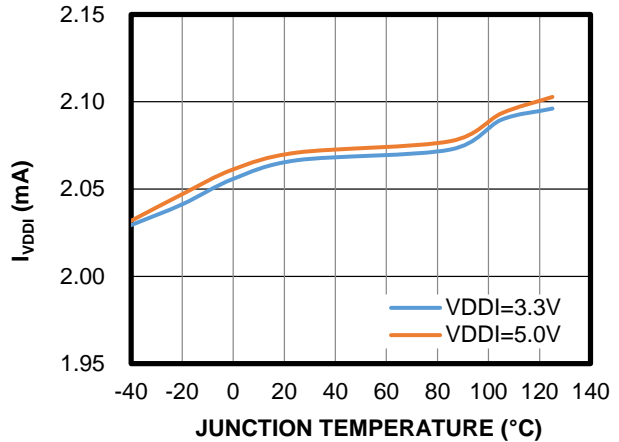
TYPICAL CHARACTERISTICS

$V_{DDI} - V_{GNDI} = 5V$, $V_{DDA} - V_{SSA} = V_{DDB} - V_{SSB} = 12V$, $C_{LOAD} = 0pF$, $T_J = 25^\circ C$, all voltages with respect to the corresponding ground(s), unless otherwise noted.

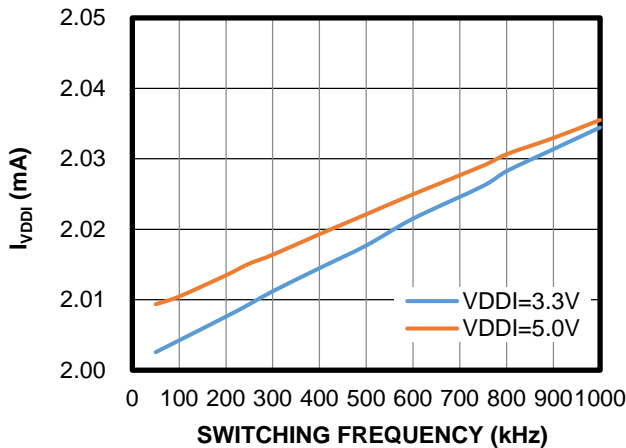
VDDI Quiescent Current vs. T_J
No switching



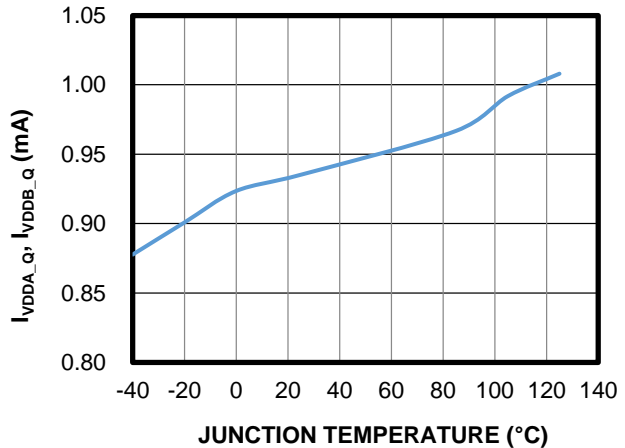
VDDI Operating Current vs. T_J
 $f = 500kHz$, duty cycle = 50%



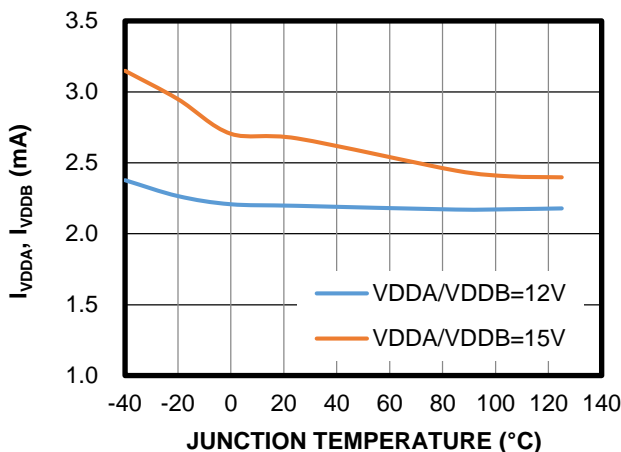
VDDI Operating Current vs. f_{sw}
Duty cycle = 50%



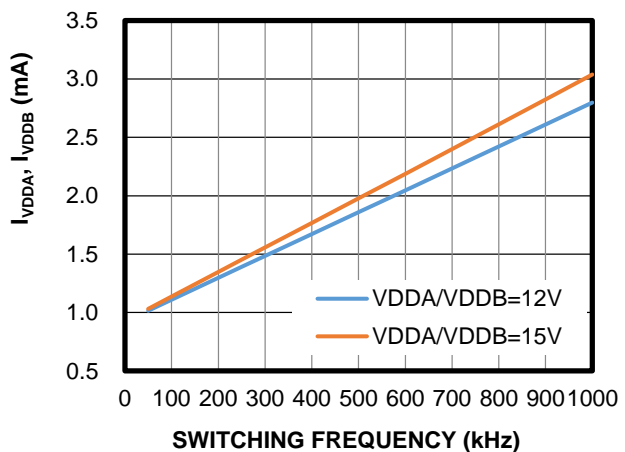
VDDA/VDDB Quiescent Current vs. T_J
Per channel, no switching



VDDA, VDDB Operating Current vs. T_J
Per channel, $f = 500kHz$, duty cycle = 50%,
 $C_{LOAD} = 100pF$

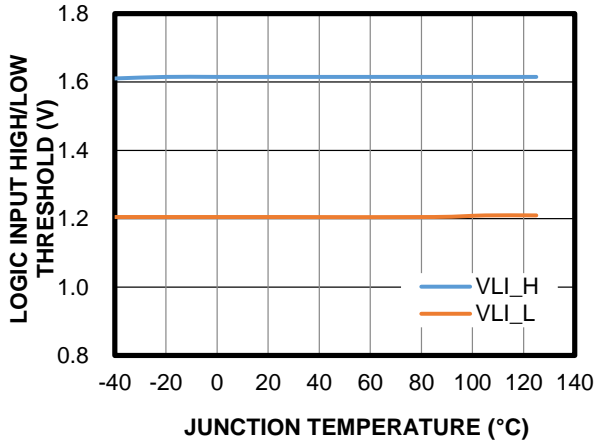
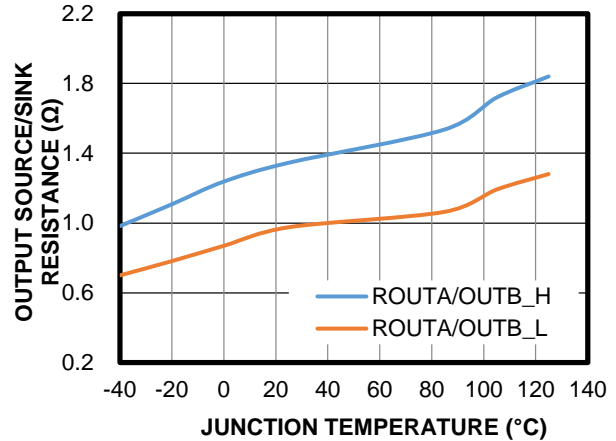
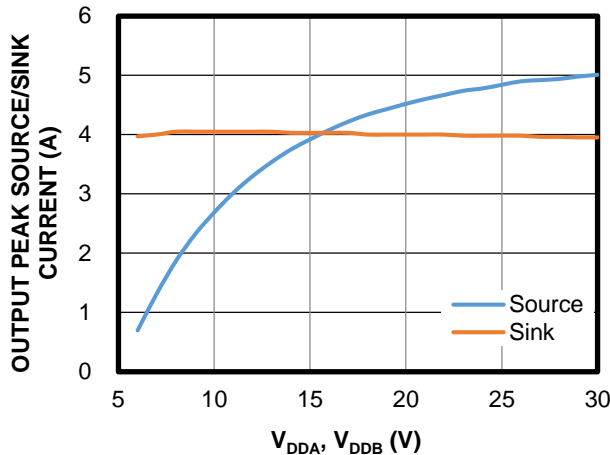
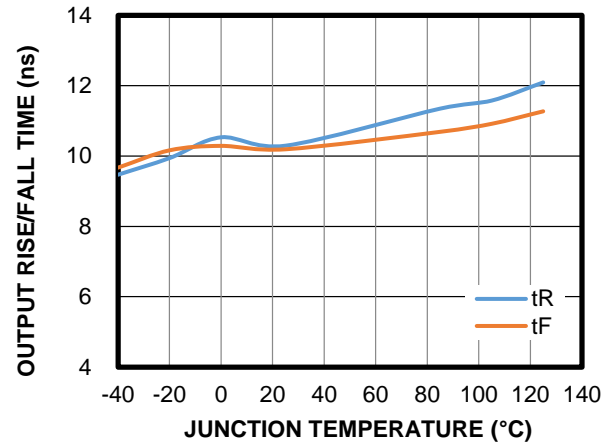
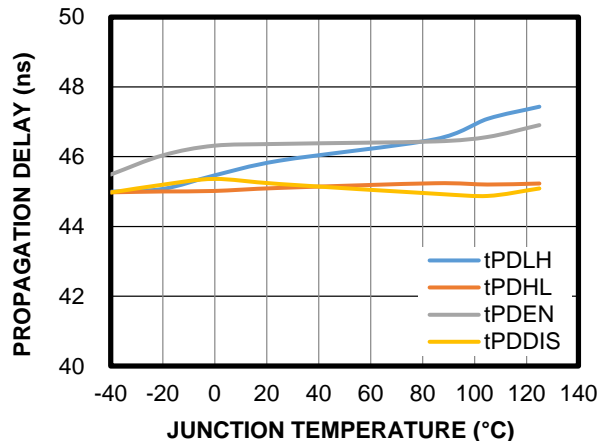
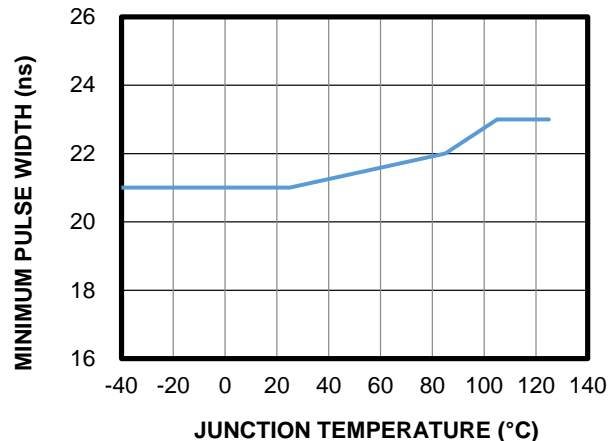


VDDA, VDDB Operating Current vs. f_{sw}
Per channel, duty cycle = 50%



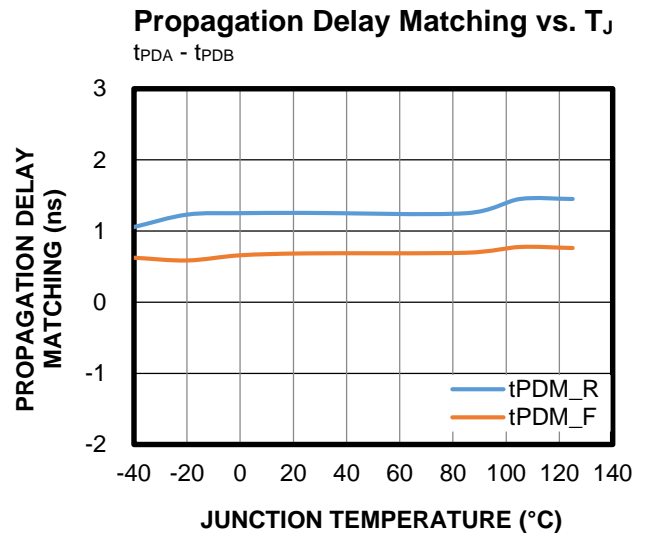
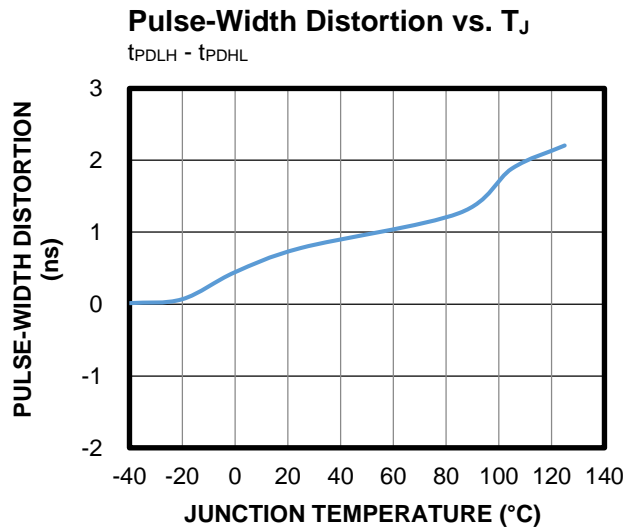
TYPICAL CHARACTERISTICS (continued)

$V_{DDI} - V_{GNDI} = 5V$, $V_{DDA} - V_{SSA} = V_{DDB} - V_{SSB} = 12V$, $C_{LOAD} = 0pF$, $T_J = 25^\circ C$, all voltages with respect to the corresponding ground(s), unless otherwise noted.

Logic Input High/Low Threshold vs. T_J

Output Source/Sink Resistance vs. T_J

Output Peak Source/Sink Current vs. V_{DDA}/V_{DDB} Supply Voltage
 5V UVLO version at 5V Miller plateau

Output Rise/Fall Time vs. T_J
 $C_{LOAD} = 1.8nF$

Propagation Delay vs. T_J

Minimum Pulse Width vs. T_J


TYPICAL CHARACTERISTICS (continued)

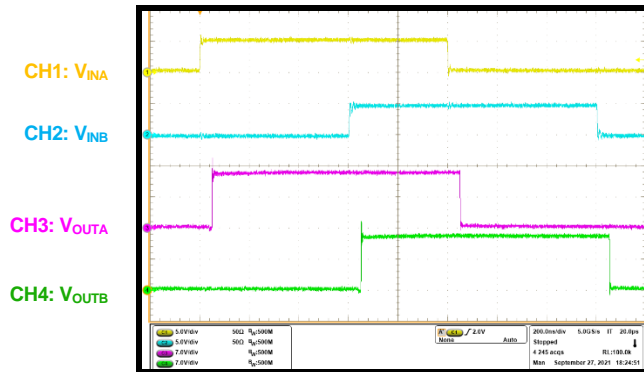
$V_{DDI} - V_{GNDI} = 5V$, $V_{DDA} - V_{SSA} = V_{DDB} - V_{SSB} = 12V$, $C_{LOAD} = 0pF$, $T_J = 25^{\circ}C$, all voltages with respect to the corresponding ground(s), unless otherwise noted.



TYPICAL PERFORMANCE CHARACTERISTICS

Performance waveforms are tested on the evaluation board, $V_{DDI} - V_{GNDI} = 5V$, $V_{DDA} - V_{SSA} = V_{DDB} - V_{SSB} = 12V$, $C_{LOAD} = 0pF$, $T_A = 25^{\circ}C$, all voltages with respect to the corresponding ground(s), unless otherwise noted.

Typical Switching Waveform



DYNAMIC PARAMETERS DEFINITIONS

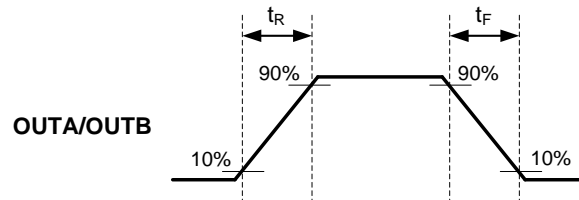


Figure 1: Output Rising and Falling Time

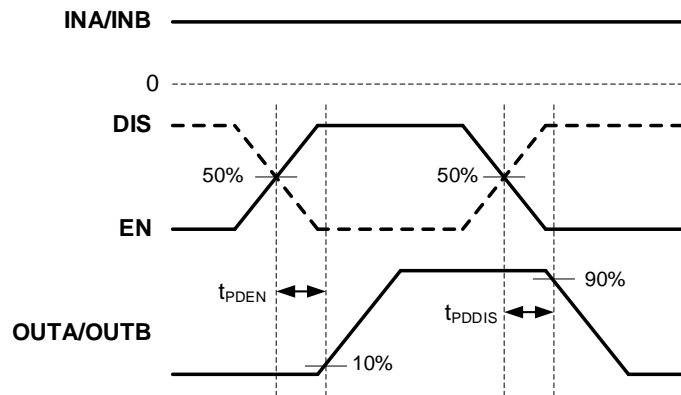


Figure 2: Enable/Disable Response Time

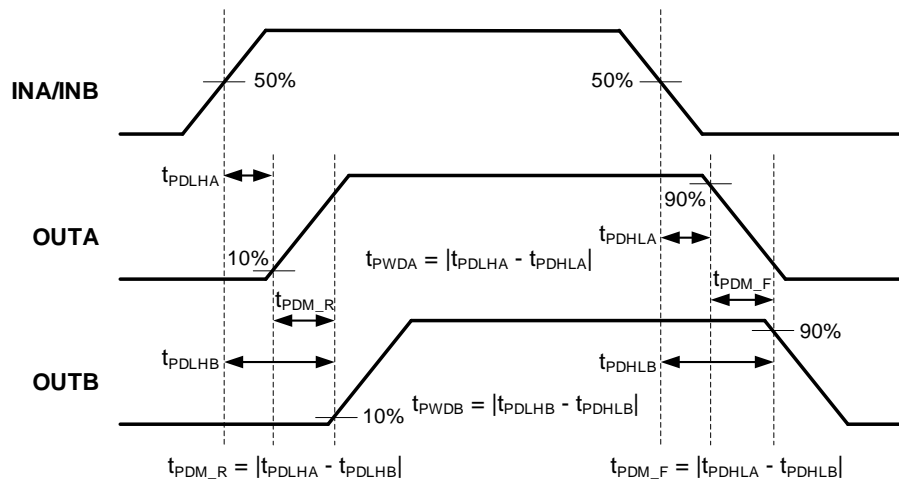


Figure 3: Propagation Delay Matching and Pulse-Width Distortion

DYNAMIC PARAMETER DEFINITIONS (continued)

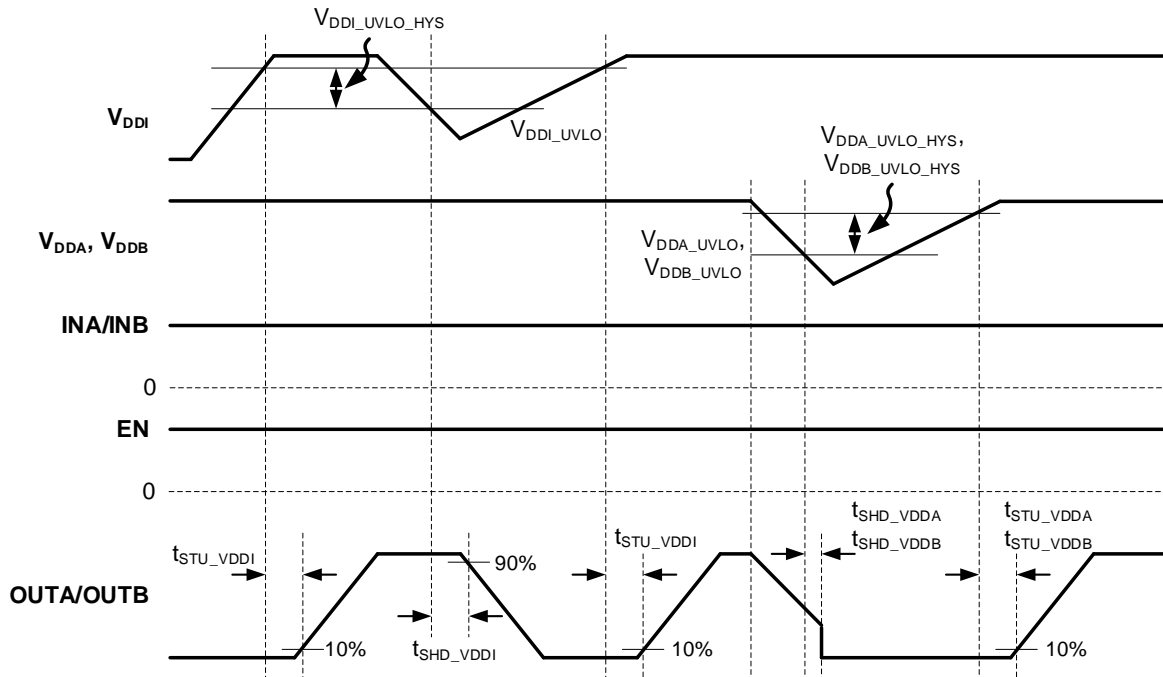


Figure 4: V_{DDI} and V_{DDA}, V_{DDB} Under-Voltage Lockout (UVLO)

DEVICE FUNCTIONAL MODES
Table 1: Logic Truth Table ⁽¹⁸⁾ ⁽¹⁹⁾

| Inputs | | | | Power Supply | | | Outputs | | Notes |
|--------|--------|--------|--------|--------------|------|------|---------|------|--------------------------------------|
| INA | INB | EN | DIS | VDDI | VDDA | VDDB | OUTA | OUTB | |
| L or O | L or O | H or O | L or O | P | P | P | L | L | Output transition occurs immediately |
| L or O | H | H or O | L or O | P | P | P | L | H | |
| H | L or O | H or O | L or O | P | P | P | H | L | |
| H | H | H or O | L or O | P | P | P | H | H | |
| X | X | L | H | P | X | X | L | L | The chip is disabled |
| X | X | X | X | UP | X | X | L | L | VDDI is unpowered |
| X | L or O | H or O | L or O | P | UP | P | L | L | VDDA is unpowered |
| X | H | H or O | L or O | P | UP | P | L | H | |
| L or O | X | H or O | L or O | P | P | UP | L | L | VDDB is unpowered |
| H | X | H or O | L or O | P | P | UP | H | L | |

Notes:

18) L: Logic low; H: Logic high; O: Open; X: Not applicable; P: Powered; UP: Unpowered, UVLO condition.

19) If VDDI is powered, the output can operate as long as this channel is powered normally.

FUNCTIONAL BLOCK DIAGRAMS

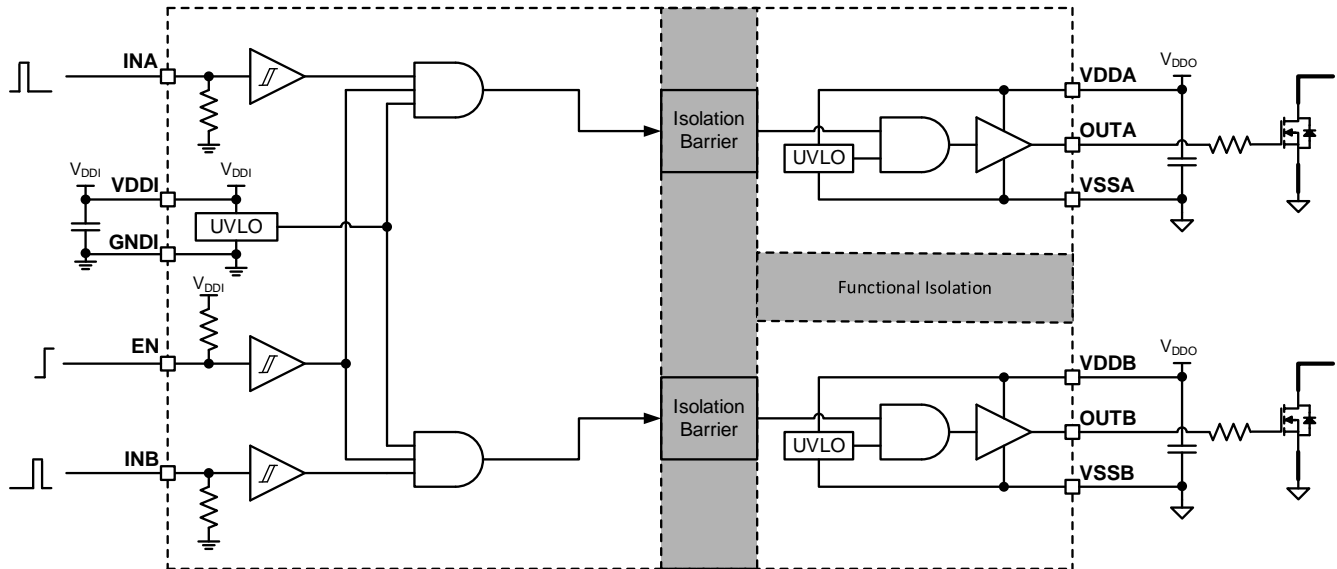


Figure 5: Functional Block Diagram (MP18851-4x, Enable Control Logic)

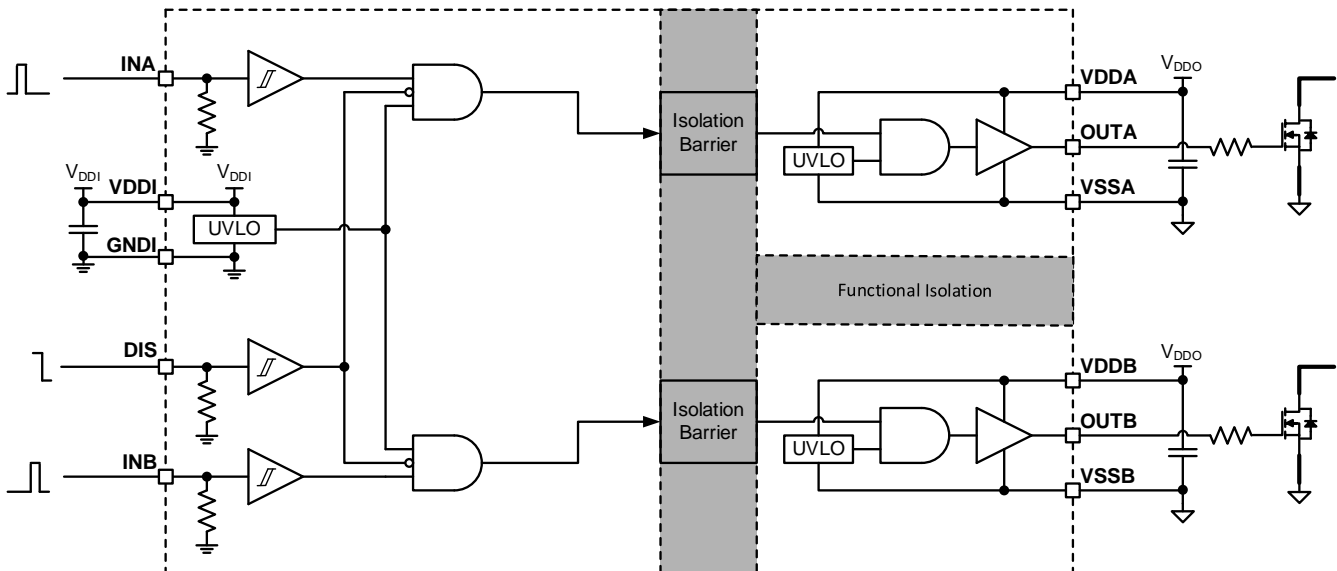


Figure 6: Functional Block Diagram (MP18851-A4x, Disable Control Logic)

OPERATION

The MP18851 is an isolated, dual-input control, independent dual-channel gate driver solution with 4A peak output current capability. This IC is designed to drive power switching devices with a short propagation delay and minimal pulse-width distortion. These advanced features enable high efficiency, high power density, and robustness in a wide variety of power applications.

See Table 1 on page 21 for device functional modes.

Under-Voltage Lockout (UVLO)

Under-voltage lockout (UVLO) is implemented to avoid the chip or certain blocks from operating at insufficient supply voltage. The MP18851 incorporates internal UVLO comparators for all of the input and output supply circuit blocks to monitor the VDDI, VDDA, and VDDDB voltages (V_{DDI} , V_{DDA} and V_{DDB} , respectively). Figure 4 on page 20 shows the input and output supply UVLO time sequence diagram.

If the input bias voltage (V_{DDI}) is unpowered or under the UVLO threshold, the chip is not enabled and the output stages do not receive control signals from the input stage. The UVLO mechanism holds the output forced low, regardless of the present logic levels of the input signals (including EN/DIS and INA/INB).

If either output stage of the driver is unpowered or below its UVLO threshold, the corresponding channel's output is also pulled low. As long as either channel is powered normally, the corresponding channel can accept the related control signal.

Input Stage and On/Off Control

All of the control input pins (EN/DIS and INA/INB) can accept a TTL/CMOS compatible logic input that is reliably isolated from each output. These control pins can easily be driven with common logic-level signals from a digital controller. However, any input signal applied to these control pins must never exceed the input stage supply V_{DDI} . Therefore, it is recommended to tie VDDI to the same power supply as the control signal sources. The control logic for EN, INA, and INB are active high, while the control logic for DIS is active low.

If the INA/INB inputs are left open, they are forced logic low via the internal pull-down resistors. This configuration ensures that the corresponding output remains low if the control input is not connected. If either logic input pin (INA or INB) is not being used, it is recommended to externally connect it to ground for better noise immunity and stable operation.

Similarly, for on/off control, the EN pin is tied to VDDI via the internal pull-up resistor, while the DIS pin is connected to GNDI via the internal pull-down resistor. Although leaving the EN/DIS pins floating does allow the chip to operate normally after start-up, it is recommended to provide a stable external signal input for on/off control in actual applications.

Output Stage

The MP18851's output stage is comprised of an upper P-channel MOSFET and a lower N-channel MOSFET (see Figure 7). The effective output pull-up source resistance (R_{OUTA_H}/R_{OUTB_H}) is the on resistance of the upper P-channel MOSFET, which delivers the large peak source current during the external power switch turn-on transition. The pull-down structure is an N-channel MOSFET, for which the on resistance (R_{OUTA_L}/R_{OUTB_L}) is the output effective pull-down impedance when the device is driven low.

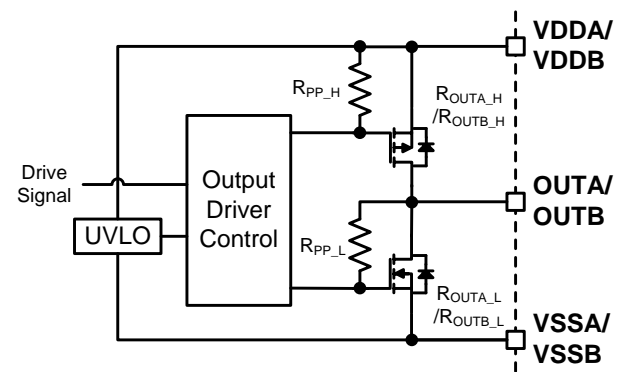


Figure 7: Output Stage

The output stage is optimized to provide strong driving capacity to a power device during the Miller plateau interval of the on/off switching procedure.

The MP18851 is capable of delivering 4A peak source/sink current pulses. The rail-to-rail output ensures that the voltage switches between V_{DDA}/V_{DDB} and V_{SSA}/V_{SSB} , respectively.

Common-Mode Transient Immunity (CMTI)

Common-mode transient immunity (CMTI) is one of the key characteristics that determines an isolator's robustness, and is especially important in high-voltage applications that utilize devices with fast transient response (e.g. SiC/GaN FET). When a power device is switching, the high slew rate dv/dt or di/dt transient noise can corrupt the signal transmission across the isolation barrier (see Figure 8 and Figure 9).

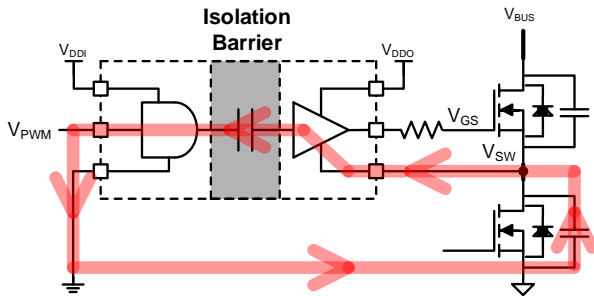


Figure 8: High Slew Rate Transient Noise Coupling Path

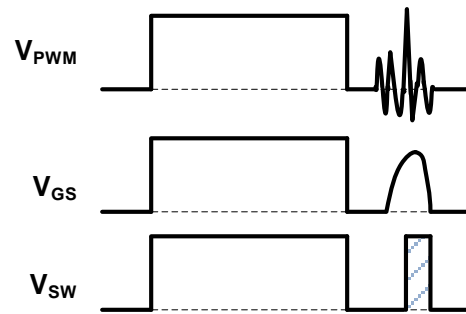


Figure 9: Abnormal Pulse Caused by Coupled Noise if $dv/dt > CMTI$

CMTI is defined as the maximum tolerable rate-of-rise (or fall) of a common-mode voltage applied between two isolated circuits, given in volts per second (V/ns or kV/ μ s). Below the maximum slew rate of a common-mode voltage, the isolator's output remains at the specified logic level and timing.

Figure 10 shows the CMTI test set-up to measure the CMTI of a coupler in both static and dynamic operation, under the specified common-mode pulse magnitude (V_{CM}), the specified slew rate for the common-mode pulse (dV_{CM}/dt), and other specified test or ambient conditions. The isolator's output should remain in the correct state as long as the pulse magnitude and the slew rate meet the relevant CMTI specifications.

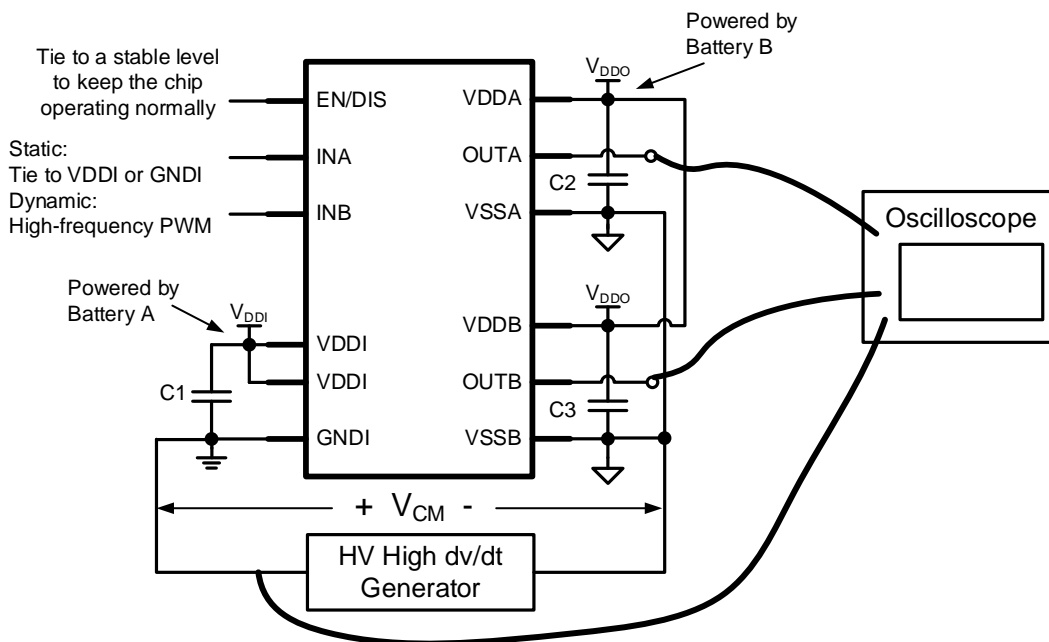


Figure 10: CMTI Test Set-Up

APPLICATION INFORMATION

Selecting the VDDI Capacitor

The VDDI capacitor reduces the surge current drawn from the input supply, and supports current consumption for the primary logic interface and transmitter block. Since the input side's operating current is only a few mA, a 100nF ceramic capacitor with X5R or X7R dielectrics is strongly recommended due to its low ESR and small temperature coefficients. For most applications, if the real supply power is far away from the VDDI pin then it is recommended to add a >1μF bypass capacitor in parallel with this 100nF ceramic capacitor.

Selecting the VDDA/VDDDB Capacitor

The VDDA/VDDDB capacitor is the bypass capacitor for the output gate driver. It supports current consumption for the driving control block, maintains a stable driving voltage, and supports up to 4A of transient source current.

Given that the allowable V_{DDA}/V_{DDB} voltage ripple is $\Delta V_{DDA}/V_{DDB}$, and guarantees that the driver supply voltage cannot drop close to the UVLO level, the minimum VDDA/VDDDB capacitance ($C_{VDDA/VDDDB}$) can be calculated with Equation (1):

$$C_{VDDA/VDDDB} = \frac{I_{VDDA/VDDDB} \times \frac{1}{f_{SW}} + Q_G}{\Delta V_{DDA}/V_{DDB}} \quad (1)$$

Where $I_{VDDA/VDDDB}$ is the VDDA/VDDDB operating current, f_{SW} is the switching frequency, and Q_G is the power device's gate charge.

Keep in mind that the loop resistance, voltage drop, and DC bias voltage ripple impact the supply voltage. Especially for channel A, which usually operates as the high-side (HS) driver in a half-bridge converter and is powered by a bootstrap circuit, too high of a VDDA capacitance (C_{VDDA}) is not recommended as it may lead to issues, such as not charging quickly enough at system power-up or during the bootstrap cycle, or V_{DDA} remaining stay below its UVLO threshold and failing to power the HS driver. A 1μF capacitor is typically recommended for channel A. If channel A is powered by a special supply, a higher C_{VDDA} can be selected.

Channel B is powered by a separate supply. Because the VDDDB capacitor (C_{VDDDB}) must support C_{VDDA} 's charging current via the bootstrap circuit, a bypass capacitor with greater capacitance can be chosen (e.g. a 10μF ceramic capacitor). It is recommended to place a secondary, high-frequency, 100nF bypass capacitor in parallel.

Selecting the Bootstrap Diode and Series Resistor

A bootstrap configuration is often applied to power the HS driver in a half-bridge converter. The bootstrap capacitor (C_{BST}) is charged through the bootstrap diode and series resistor during the low-side (LS) turn-on interval. The diode loads the high reverse voltage (greater than bus voltage) during the LS turn-on interval. To reduce the conduction losses and reverse recovery losses, a high-voltage, fast recovery diode or Schottky diode is recommended.

A bootstrap series resistor (R_{BST}) is also recommended used to limit the inrush charging current, which can generate a spike on the VDDA pin. It is recommended that R_{BST} not exceed 10Ω. The estimated peak charging current can then be calculated with Equation (2):

$$I_{BST} = \frac{V_{DDA}/V_{DDB} - V_{D_BST}}{R_{BST}} \quad (2)$$

Where V_{D_BST} is the forward voltage drop of the bootstrap diode, and R_{BST} is the bootstrap series resistor.

Selecting the Input Filter for INA/INB

The INA/INB input filter is not necessary in theory because the low-pass filter slows the PWM signal's rising/falling edge and affects the propagation delay. However, if there is significant high-frequency ringing introduced by the PCB traces, it is recommended to add a simple RC filter at the input close to the INA/INB pins.

To avoid increasing the input resistance, a resistor below 100Ω is typically recommended. When selecting the filter capacitor, ensure that the filter's cutoff frequency is at least ten times greater than f_{SW} , a capacitance of dozens of pF is typically sufficient.

Selecting the External Driving Resistor

The external driving resistor can be applied to limit the ringing noise on the driving signal and adjust the switching speed to improve EMI performance. However, a greater driving resistance increases switching losses, reduces system efficiency, and can introduce thermal issues. In actual applications, the turn-on and turn-off speeds can be adjusted the respective driving resistors. Place the sink resistor in series with an anti-parallel diode, and keep it separate from the source resistor. The total driving resistance when pulling the power device low is sum of the sink resistor placed in parallel with the source resistor.

The peak driving current can be used to evaluate the effect of the driving resistors. Without a driving resistor, the MP18851 can drive up to 4A of peak source and sink currents.

Considering the driving resistor, the peak source driving current for outputs A and B can be calculated with Equation (3) and Equation (4), respectively:

$$I_{\text{OUTA_SRC}} = \frac{V_{\text{DDA}}}{R_{\text{OUTA_H}} + R_{\text{G_SRC}} + R_{\text{G(INT)}}} \quad (3)$$

$$I_{\text{OUTB_SRC}} = \frac{V_{\text{DDB}}}{R_{\text{OUTB_H}} + R_{\text{G_SRC}} + R_{\text{G(INT)}}} \quad (4)$$

The peak sink driving current for outputs A and B can be calculated with Equation (5) and Equation (6), respectively:

$$I_{\text{OUTA_SNK}} = \frac{V_{\text{GSA_ON}}}{R_{\text{OUTA_L}} + R_{\text{G_SRC}} \parallel R_{\text{G_SNK}} + R_{\text{G(INT)}}} \quad (5)$$

$$I_{\text{OUTB_SNK}} = \frac{V_{\text{GSB_ON}}}{R_{\text{OUTB_L}} + R_{\text{G_SRC}} \parallel R_{\text{G_SNK}} + R_{\text{G(INT)}}} \quad (6)$$

Where $R_{\text{G_SRC}}$ is the external source resistor, $R_{\text{G_SNK}}$ is the external sink resistor, $R_{\text{G(INT)}}$ is the power device's internal gate resistance, and $V_{\text{GSA_ON}}/V_{\text{GSB_ON}}$ is the power device's stable gate-source voltage during the turn-on interval.

$V_{\text{GSA_ON}}/V_{\text{GSB_ON}}$ should typically be close to $V_{\text{DDA}}/V_{\text{DDB}}$.

Since the driving current cannot exceed 4A, set the actual peak driving current to be whichever

is the smaller value between the estimated $I_{\text{OUTA_SRC}}/I_{\text{OUTB_SRC}}$ or $I_{\text{OUTA_SNK}}/I_{\text{OUTB_SNK}}$ and 4A.

Estimated Gate Driver Power Loss

The total gate driver power loss is used to estimate the thermal performance. The MP18851 must operate under the safety limiting values (see the Safety Limiting Values section on page 13 for more details).

To estimate the gate driver power loss, first calculate the chip's operation power consumption (P_{OP}) using Equation (7):

$$P_{\text{OP}} = V_{\text{DDI}} \times I_{\text{VDDI}} + V_{\text{DDA}} \times I_{\text{VDDA}} + V_{\text{DDB}} \times I_{\text{VDDB}} \quad (7)$$

The gate driver's self-power consumption is related to f_{SW} and the supply voltage. For the relationship reference between the input and output channels' current consumption vs. the operating frequency, see the Typical Characteristics section on page 15.

Next, consider the gate driver power loss during switching operation. As a conventional totem-pole (TP) gate driver, each channel of the MP18851 charges and discharges the power device's gate capacitance once during every switching cycle.

During the charging and the discharging period, the total energy is supplied by $V_{\text{DDA}}/V_{\text{DDB}}$. If there is no external gate driver resistor, the power dissipation (P_{SW}) can be calculated with Equation (8):

$$P_{\text{SW}} = \left(V_{\text{DDA}} \times \int_0^{t_{\text{ON}}} i_{\text{GA}}(t) dt + V_{\text{DDB}} \times \int_0^{t_{\text{ON}}} i_{\text{GB}}(t) dt \right) \times f_{\text{SW}} \\ = (V_{\text{DDA}} + V_{\text{DDB}}) \times Q_{\text{G}} \times f_{\text{SW}} \quad (8)$$

Where t_{ON} is the turn-on time, and $i_{\text{GA}}/i_{\text{GB}}(t)$ is the driving current.

The behavior of the external source/sink resistors adds complexity to the dynamic power dissipation estimation.

If the driving current is not saturated to 4A within one switching cycle with external gate resistors, then P_{SW} is shared between the gate driver's internal source and sink resistances and the external gate driver resistors, based on the ratio of these series resistances. In this circumstance, P_{SW} can be calculated with Equation (9) on page 27:

$$P_{SW} = \frac{V_{DDA} \times Q_G \times f_{SW}}{2} \times \left(\frac{R_{OUTA_H}}{R_{OUTA_H} + R_{G_SRC} + R_{G(INT)}} + \frac{R_{OUTA_L}}{R_{OUTA_L} + R_{G_SRC} \parallel R_{G_SNK} + R_{G(INT)}} \right) + \frac{V_{DDB} \times Q_G \times f_{SW}}{2} \times \left(\frac{R_{OUTB_H}}{R_{OUTB_H} + R_{G_SRC} + R_{G(INT)}} + \frac{R_{OUTB_L}}{R_{OUTB_L} + R_{G_SRC} \parallel R_{G_SNK} + R_{G(INT)}} \right) \quad (9)$$

Where t_{ON_SAT/OFF_SAT} is the turn-on/off time with a saturated 4A current output, and $V_{GSA/GSB}(t)$ is the power device's gate voltage during this saturation time.

In some conditions, the MP18851 outputs the saturated 4A current at the beginning of the turn-on/off interval. During this saturation time, the power loss (P_{SW_SAT}) can be calculated with Equation (10):

$$P_{SW_SAT} = 4A \times \int_0^{t_{ON_SAT}} (V_{DDA} - V_{GSA}(t))dt + 4A \times \int_0^{t_{OFF_SAT}} (V_{GSA}(t))dt + 4A \times \int_0^{t_{ON_SAT}} (V_{DDB} - V_{GSB}(t))dt + 4A \times \int_0^{t_{OFF_SAT}} (V_{GSB}(t))dt \quad (10)$$

The actual power loss is the sum of Equation (9) and Equation (10). Therefore, the total power loss dissipated in the MP18851 (P_{LOSS}) can be calculated with Equation (11):

$$P_{LOSS} = P_{OP} + P_{SW} \quad (11)$$

Multiply P_{LOSS} by the junction-to-ambient thermal resistance (θ_{JA}) to determine the junction temperature rise above the ambient temperature (T_A). Ensure that the junction temperature (T_J) is below the maximum safety temperature (T_S).

PCB Layout Guidelines

Efficient PCB layout is critical for stable operation. For the best results, refer to Figure 11 and follow the guidelines below:

1. Place the bypass/decoupling capacitors as close as possible to the VDDI/VDDA/VDDB supply pins and the corresponding grounds. For each supply pin, it is recommended to add a low-ESR/ESL, high-frequency, 100nF bypass capacitor.
2. If an input RC filter is used, it is recommended to place this filter close to the corresponding control pin.
3. Place the high-current paths (e.g. the supply path, drive path, and the connection between the external power device source and the VSSA/VSSB pins) very close to the driver chip with short, direct, and wide traces to minimize parasitic inductance and avoid large transients and ringing noise.
4. It is strongly recommended to place large power and ground planes or use multiple ground layers to help dissipate heat from the gate driver chip to the PCB and improve the thermal performance. Be careful when splitting the traces or coppers to allow sufficient insulation distance between the low-/high-voltage planes.
5. Keep the driving loop from OUTA/OUTB to the power device's gate-to-source to VSSA/VSSB short and with a minimal area. Avoid placing the driving trace across different PCB layers through vias, as it can introduce parasitic inductance. Place the driver IC as close as possible to the power device.
6. Use the recommended land pattern design for each package type to ensure adequate insulation space between the primary and secondary sides. Avoid placing any components, tracks, or copper below the chip's body in any PCB layer.
7. A board cutout under the chip is not always necessary, but is recommended for the SOIC-16 package options to extend the creepage distance on the PCB surface. The LGA package's bottom side is pressed on the PCB surface, so the PCB cutout is not

effective but can lead to the board being easily twisted.

8. If the driver chip is used in a half-bridge configuration, keep enough space and maximize the creepage distance between the dual channels.

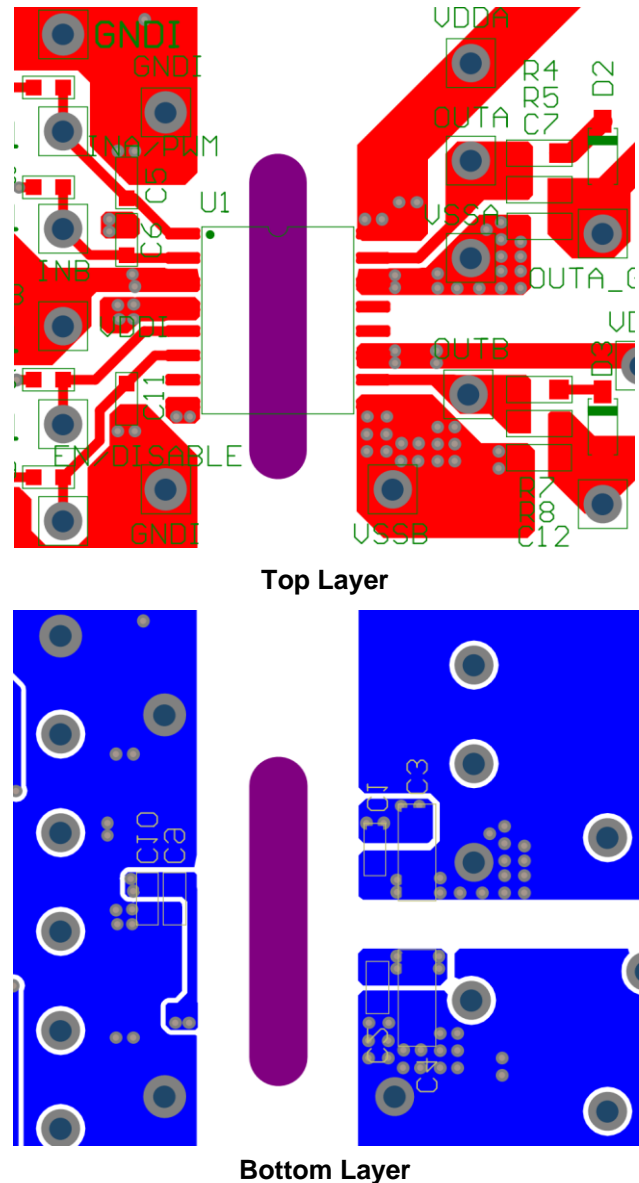


Figure 11: Recommended PCB Layout ⁽²⁰⁾

Note:

20) This example uses a 2-layer PCB layout with the SOIC-16 WB package.

TYPICAL APPLICATION CIRCUIT

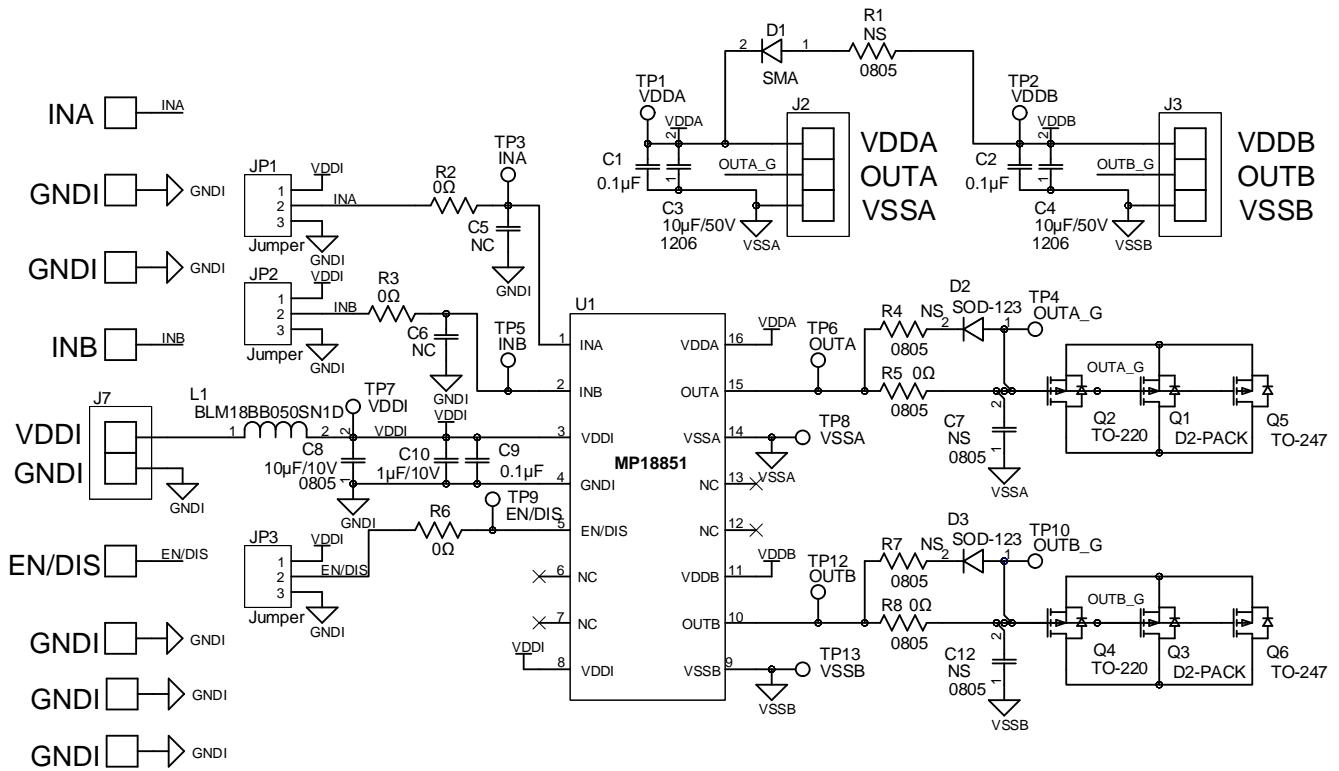
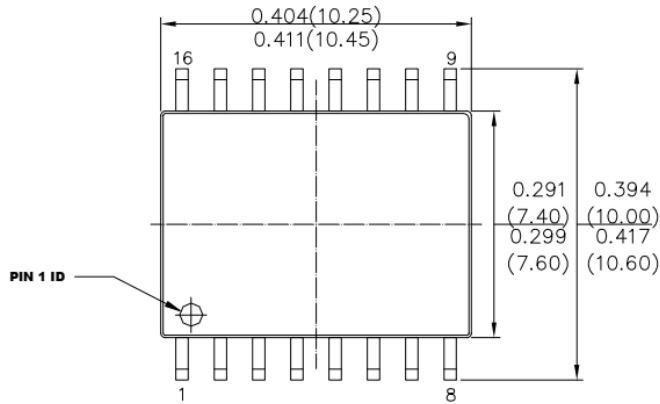


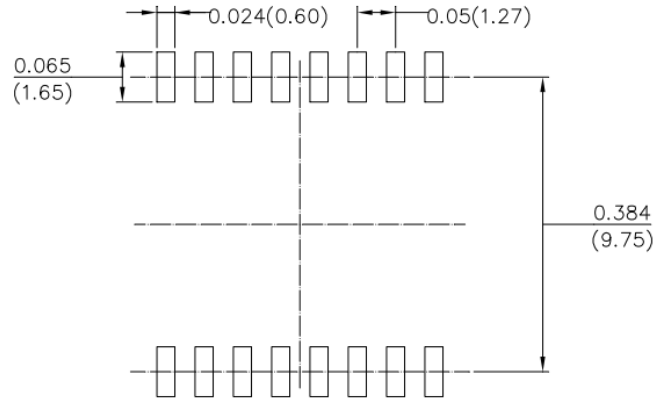
Figure 12: Typical Application Circuit

PACKAGE INFORMATION

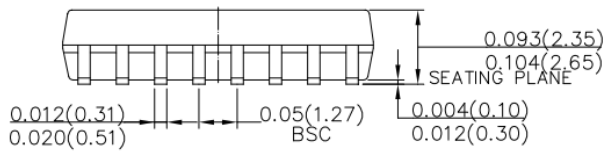
SOIC-16 WB (HV ISOLATION)



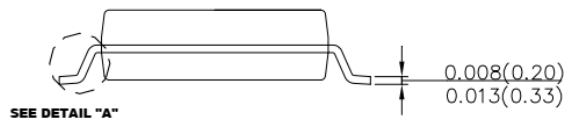
TOP VIEW



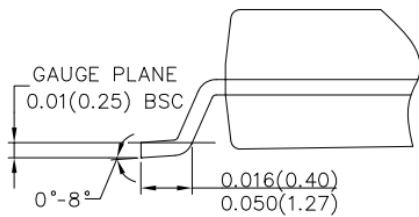
RECOMMENDED LAND PATTERN



FRONT VIEW



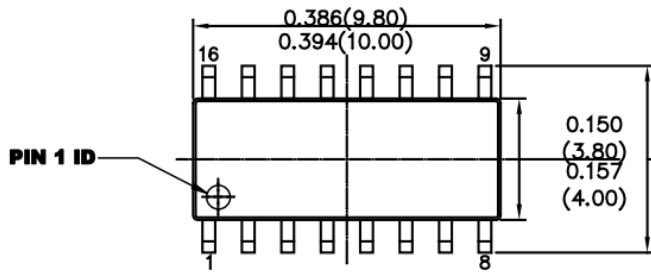
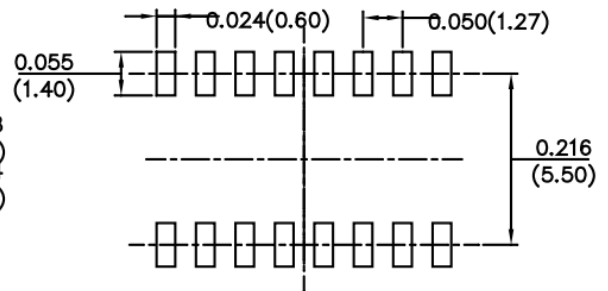
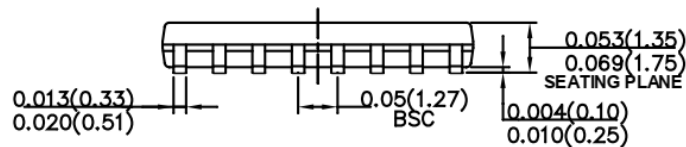
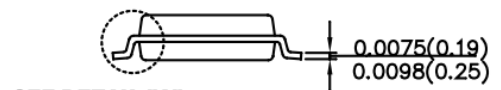
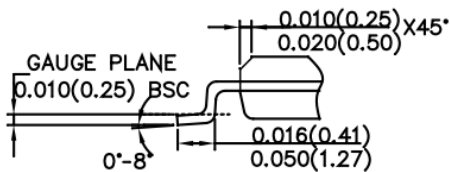
SIDE VIEW



DETAIL "A"

NOTE:

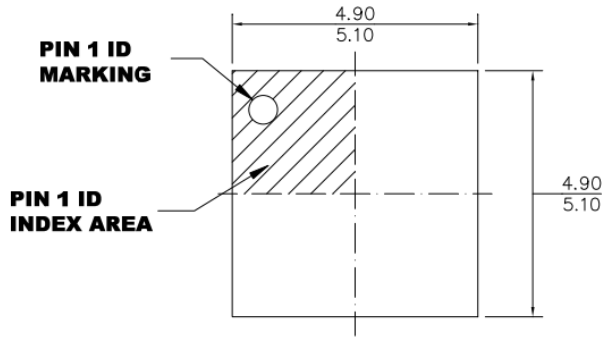
- 1) CONTROL DIMENSION IS IN INCHES. DIMENSION IN BRACKET IS IN MILLIMETERS.
- 2) PACKAGE LENGTH DOES NOT INCLUDE MOLD FLASH, PROTRUSIONS OR GATE BURRS.
- 3) PACKAGE WIDTH DOES NOT INCLUDE INTERLEAD FLASH OR PROTRUSIONS.
- 4) LEAD COPLANARITY (BOTTOM OF LEADS AFTER FORMING) SHALL BE 0.004" INCHES MAX.
- 5) DRAWING CONFORMS TO JEDEC MS-013, VARIATION AA.
- 6) DRAWING IS NOT TO SCALE.

PACKAGE INFORMATION (continued)
SOIC-16 NB (HV ISOLATION)

TOP VIEW

RECOMMENDED LAND PATTERN

FRONT VIEW

SEE DETAIL "A"
SIDE VIEW

DETAIL "A"
NOTE:

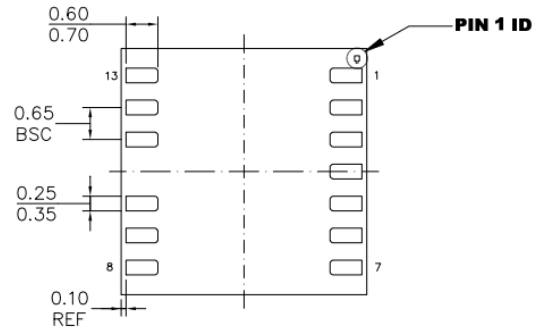
- 1) CONTROL DIMENSION IS IN INCHES. DIMENSION IN BRACKET IS IN MILLIMETERS.
- 2) PACKAGE LENGTH DOES NOT INCLUDE MOLD FLASH, PROTRUSIONS OR GATE BURRS.
- 3) PACKAGE WIDTH DOES NOT INCLUDE INTERLEAD FLASH OR PROTRUSIONS.
- 4) LEAD COPLANARITY (BOTTOM OF LEADS AFTER FORMING) SHALL BE 0.004" INCHES MAX.
- 5) DRAWING CONFORMS TO JEDEC MS-012, VARIATION BC.
- 6) DRAWING IS NOT TO SCALE.

PACKAGE INFORMATION (continued)

LGA-13 (5mmx5mm)



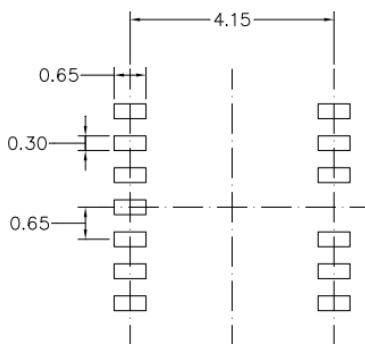
TOP VIEW



BOTTOM VIEW



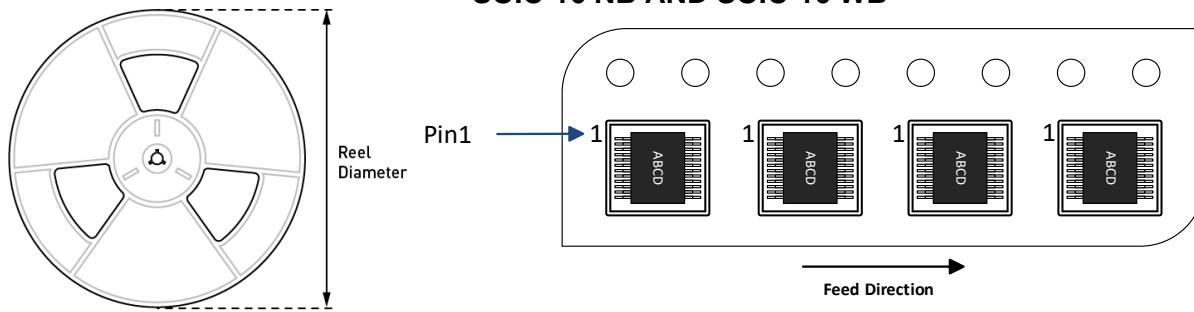
SIDE VIEW



RECOMMENDED LAND PATTERN

NOTE:

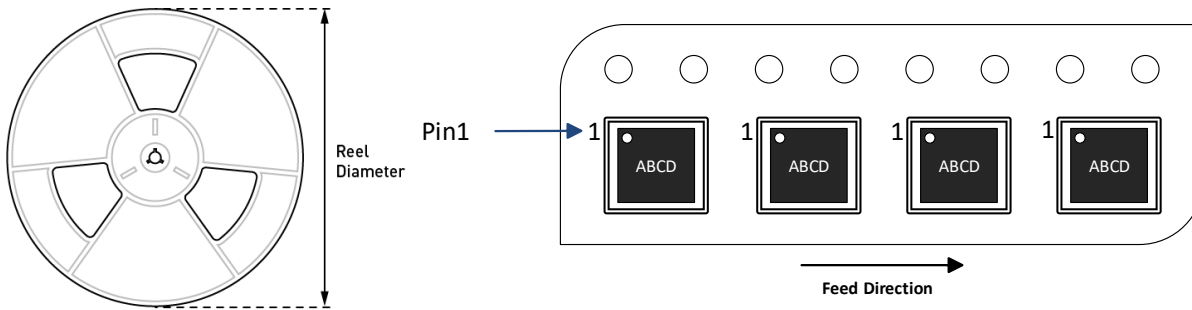
- 1) ALL DIMENSIONS ARE IN MILLIMETERS.
- 2) LEAD COPLANARITY SHALL BE 0.10 MILLIMETERS MAX.
- 3) JEDEC REFERENCE IS MO-303.
- 4) DRAWING IS NOT TO SCALE.

CARRIER INFORMATION
SOIC-16 NB AND SOIC-16 WB


| Part Number | Package Description | Quantity/ Reel | Quantity/ Tube | Reel Diameter | Carrier Tape Width | Carrier Tape Pitch |
|------------------|---------------------|----------------|----------------|---------------|--------------------|--------------------|
| MP18851-4AGSE-Z | SOIC-16 NB | 2500 | 50 | 13in | 16mm | 8mm |
| MP18851-4BGSE-Z | | | | | | |
| MP18851-4CGSE-Z | | | | | | |
| MP18851-4DGSE-Z | | | | | | |
| MP18851-4EGSE-Z | | | | | | |
| MP18851-A4AGSE-Z | | | | | | |
| MP18851-A4BGSE-Z | | | | | | |
| MP18851-A4CGSE-Z | | | | | | |
| MP18851-A4DGSE-Z | | | | | | |
| MP18851-A4EGSE-Z | | | | | | |
| MP18851-4AGY-Z | SOIC-16 WB | 1000 | 47 | 13in | 24mm | 12mm |
| MP18851-4BGY-Z | | | | | | |
| MP18851-4CGY-Z | | | | | | |
| MP18851-4DGY-Z | | | | | | |
| MP18851-4EGY-Z | | | | | | |
| MP18851-A4AGY-Z | | | | | | |
| MP18851-A4BGY-Z | | | | | | |
| MP18851-A4CGY-Z | | | | | | |
| MP18851-A4DGY-Z | | | | | | |
| MP18851-A4EGY-Z | | | | | | |

CARRIER INFORMATION *(continued)*

LGA-13 (5mmx5mm)



| Part Number | Package Description | Quantity/ Reel | Quantity/ Tube | Reel Diameter | Carrier Tape Width | Carrier Tape Pitch |
|------------------|---------------------|----------------|----------------|---------------|--------------------|--------------------|
| MP18851-4AGLU-Z | LGA-13 (5mmx5mm) | 5000 | N/A | 13in | 12mm | 8mm |
| MP18851-4BGLU-Z | | | | | | |
| MP18851-4CGLU-Z | | | | | | |
| MP18851-4DGLU-Z | | | | | | |
| MP18851-4EGLU-Z | | | | | | |
| MP18851-A4AGLU-Z | | | | | | |
| MP18851-A4BGLU-Z | | | | | | |
| MP18851-A4CGLU-Z | | | | | | |
| MP18851-A4DGLU-Z | | | | | | |
| MP18851-A4EGLU-Z | | | | | | |

REVISION HISTORY

| Revision # | Revision Date | Description | Pages Updated |
|------------|---------------|-----------------|---------------|
| 1.0 | 7/26/2022 | Initial Release | - |

Notice: The information in this document is subject to change without notice. Please contact MPS for current specifications. Users should warrant and guarantee that third-party Intellectual Property rights are not infringed upon when integrating MPS products into any application. MPS will not assume any legal responsibility for any said applications.