

DESCRIPTION

The MPC1100C-54-0002 is a high-efficiency, non-isolated LLC-DCX power card module with a fixed 10:1 transformer turns ratio. The device operates from a 40V to 60V DC primary bus and a 4V to 6V output voltage. It can deliver up to 300W of power.

The MPC1100C-54-0002 employs MPS's digital controller and synchronous rectifier. These devices can adjust the PWM to optimize the MPC1100C-54-0002, and ensure that the MPC1100C-54-0002 works at the resonant frequency.

The built-in multiple-time programmable (MTP) memory can store and restore device configurations. The fault status, input and output voltage, current, and temperature can be easily monitored via the communication interface.

The MPC1100C-54-0002 is available in a surface-mount (27mmx18mmx6.1mm) package.

FEATURES

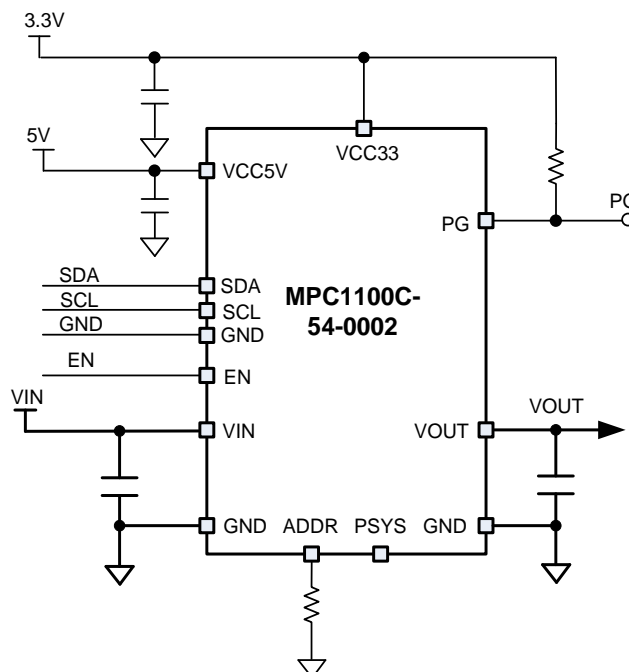
- Up to 60A Continuous Secondary Current
- Built-In MTP to Store Custom Configurations
- Monitoring for Input Voltage, Output Voltage, Output Current, Output Power, and Temperature
- Protections Including V_{IN} UVLO, Output OVP/UVP, OCP_TDC, OCP_SPIKE, and OTP
- Available in a Surface-Mount (27mmx18mmx6.1mm) Package

APPLICATIONS

- Datacenters
- DC Power Distribution
- High-End Computing Systems

All MPS parts are lead-free, halogen-free, and adhere to the RoHS directive. For MPS green status, please visit the MPS website under Quality Assurance. "MPS", the MPS logo, and "Simple, Easy Solutions" are trademarks of Monolithic Power Systems, Inc. or its subsidiaries.

TYPICAL APPLICATION



ORDERING INFORMATION

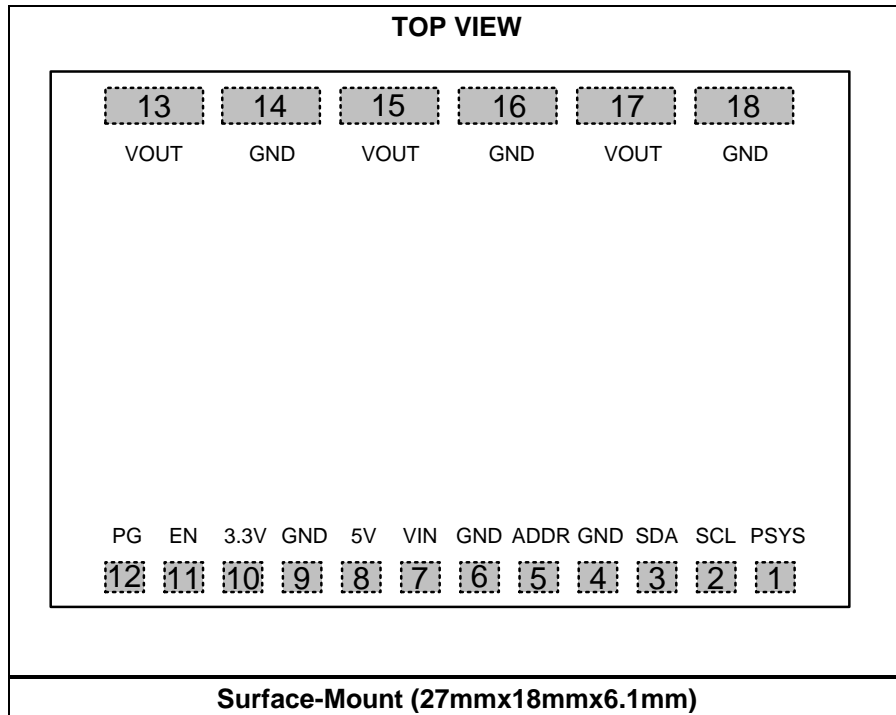
Part Number*	Package	Top Marking	MSL Rating
MPC1100C-54-0002	Surface-Mount	MPC1100C-54	3

*For Tape & Reel, add suffix -Z (e.g. MPC1100C-54-0002-Z).

TOP MARKING

Date code
 Vendor's serial number
 LOT ID
 MPC1100C-54

PACKAGE REFERENCE



Notice: The information in this document is subject to change without notice. Please contact MPS for current specifications. Users should warrant and guarantee that third-party Intellectual Property rights are not infringed upon when integrating MPS products into any application. MPS will not assume any legal responsibility for any said applications.