

### DESCRIPTION

The MPC22167-130 is a dual-phase, non-isolated, high-efficiency step-down power module. It integrates driver MOSFETs (DrMOS) and inductors to provide high efficiency and a small footprint, which is ideal for server applications.

The MPC22167-130 has two independent outputs, which can be used separately or in parallel. It can achieve up to 130A (65A/phase) of output current ( $I_{OUTx}$ ) across a wide input voltage ( $V_{IN}$ ) range.

The MPC22167-130 offers many features to simplify system design. The device works with tri-state pulse-width modulation (PWM) signal controllers, has Accu-Sense™ current sensing to monitor the inductor current ( $I_L$ ), and has temperature sensing to report the junction temperature ( $T_J$ ).

The MPC22167-130 is available in an LGA-72 (9mmx9.9mmx7.65mm) package.

### FEATURES

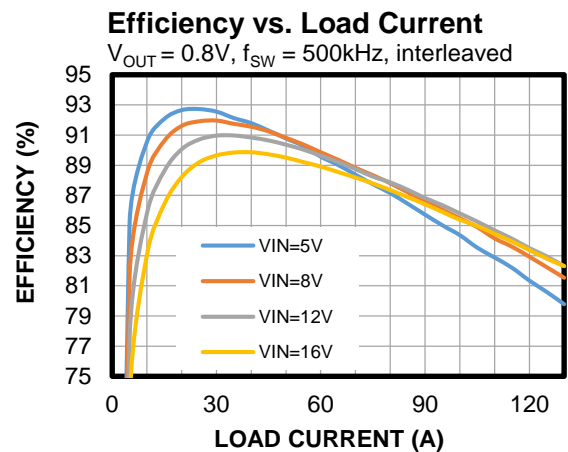
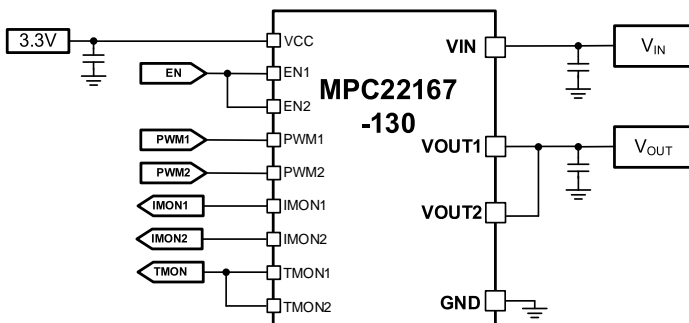
- Quiet Switcher™ Technology (QST) Limits Peak Switching Voltages
- Wide 4V to 16V Input Voltage ( $V_{IN}$ ) Range
- Up to 130A Continuous Output Current ( $I_{OUTx}$ )
- Accu-Sense™ Current Sense (CS)
- Temperature Sense
- Compatible with Tri-State Pulse-Width Modulation (PWM) Signals
- Over-Current Protection (OCP)
- Over-Temperature Protection (OTP)
- Fault Reporting
- Typical Weight: 3.4g
- Available in an LGA-72 (9mmx9.9mmx7.65mm) Package

### APPLICATIONS

- Servers and Computing
- Field-Programmable Gate Arrays (FPGAs) and ASIC Core Power
- Graphic Card Core Regulators

All MPS parts are lead-free, halogen-free, and adhere to the RoHS directive. For MPS green status, please visit the MPS website under Quality Assurance. "MPS", the MPS logo, and "Simple, Easy Solutions" are trademarks of Monolithic Power Systems, Inc. or its subsidiaries.

### TYPICAL APPLICATION



### ORDERING INFORMATION

Part Number	Package	Marking	MSL Rating
MPC22167-130	LGA-72 (9mmx9.9mmx7.65mm)	Option 1: Side Label Option 2: Top IC	3

\* For Tray, add suffix -T (e.g. MPC22167-130-T).

### MPC22167-130 SIDE LABEL MARKING FOR OPTION 1

#### 3 Lines Marking Information



YYWWAA

XXXXXX

LLLLLLLLLL

YYWWAA: Date Code  
XXXXXX: Vendor's Serial Number  
LLLLLLLLLL: LOT ID

\* QR Code Content is the same as 3 lines marking information.

**Notice:** The information in this document is subject to change without notice. Please contact MPS for current specifications. Users should warrant and guarantee that third-party Intellectual Property rights are not infringed upon when integrating MPS products into any application. MPS will not assume any legal responsibility for any said applications.